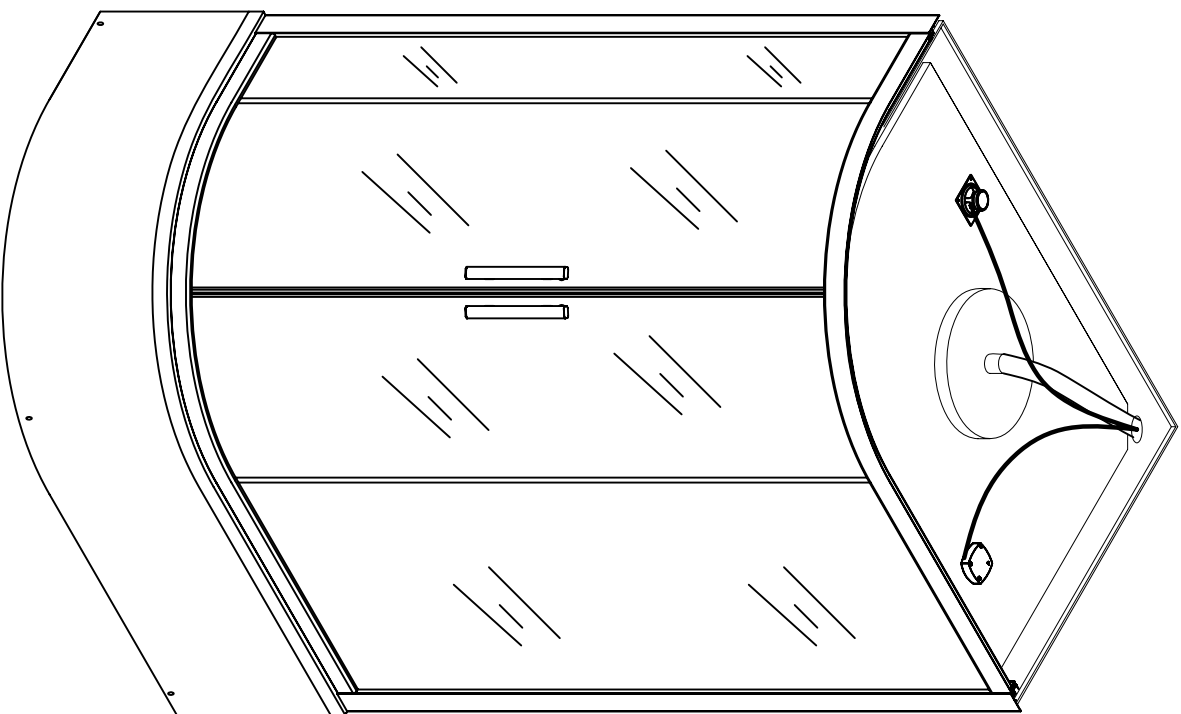
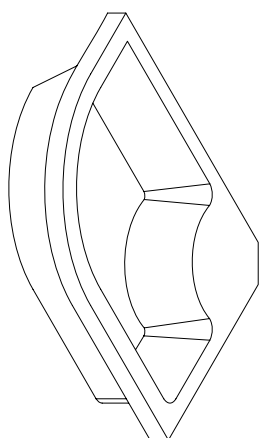


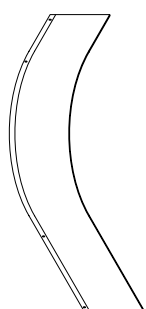
7415/7416



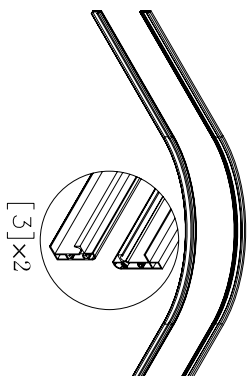
- A
- B
- C
- D
- E
- F
- G



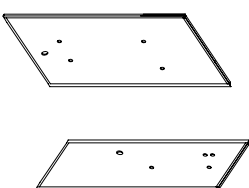
[1] x1



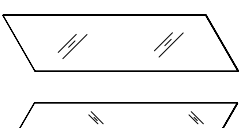
[2] x1



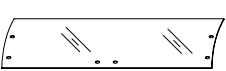
[3] x2



[5] x2



[6] x2



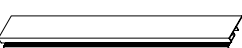
[7] x2



[8] x2



[9] x1



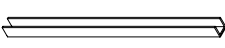
[10] x2



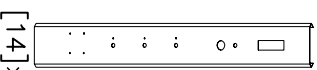
[11] x1



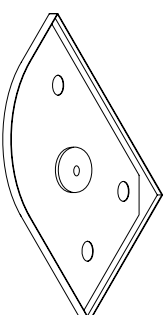
[12] x2



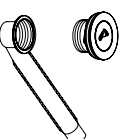
[13] x4



[14] x1



[15] x1



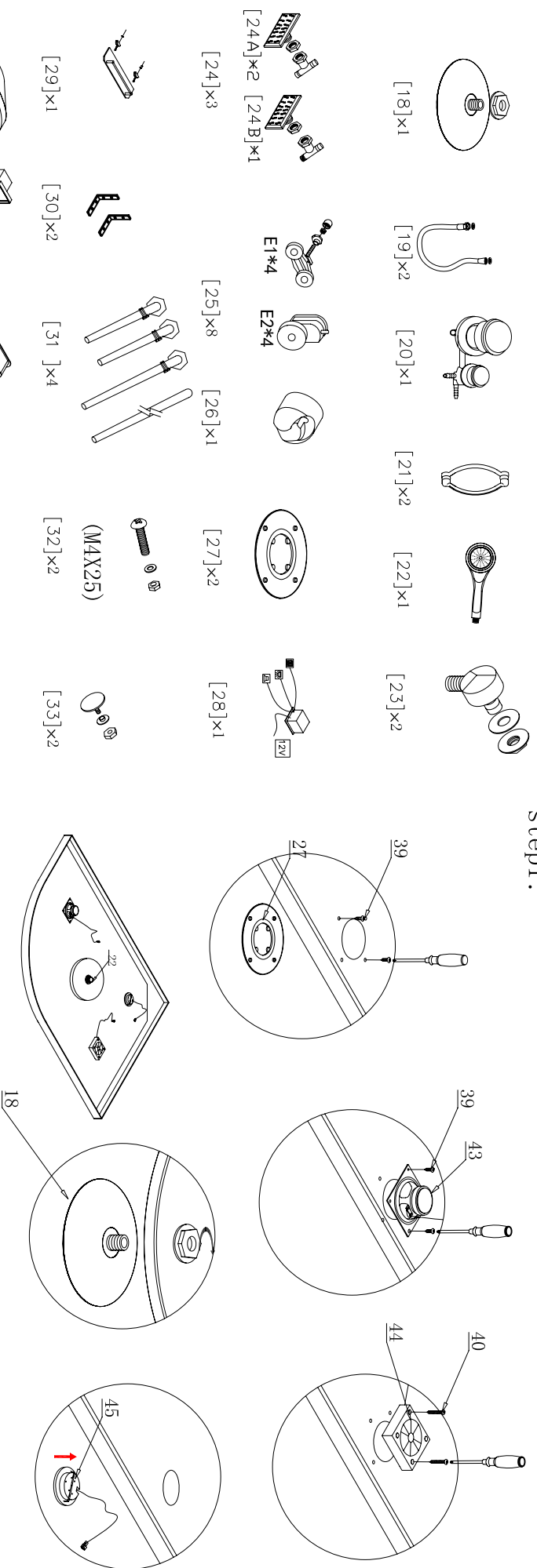
[16] x1



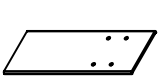
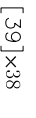
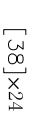
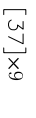
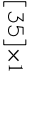
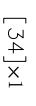
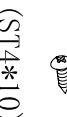
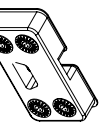
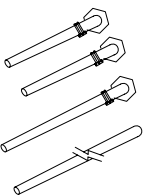
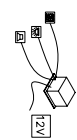
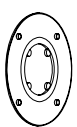
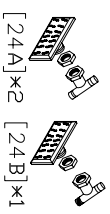
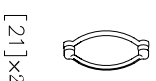
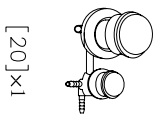
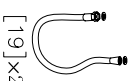
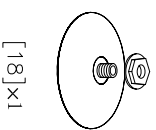
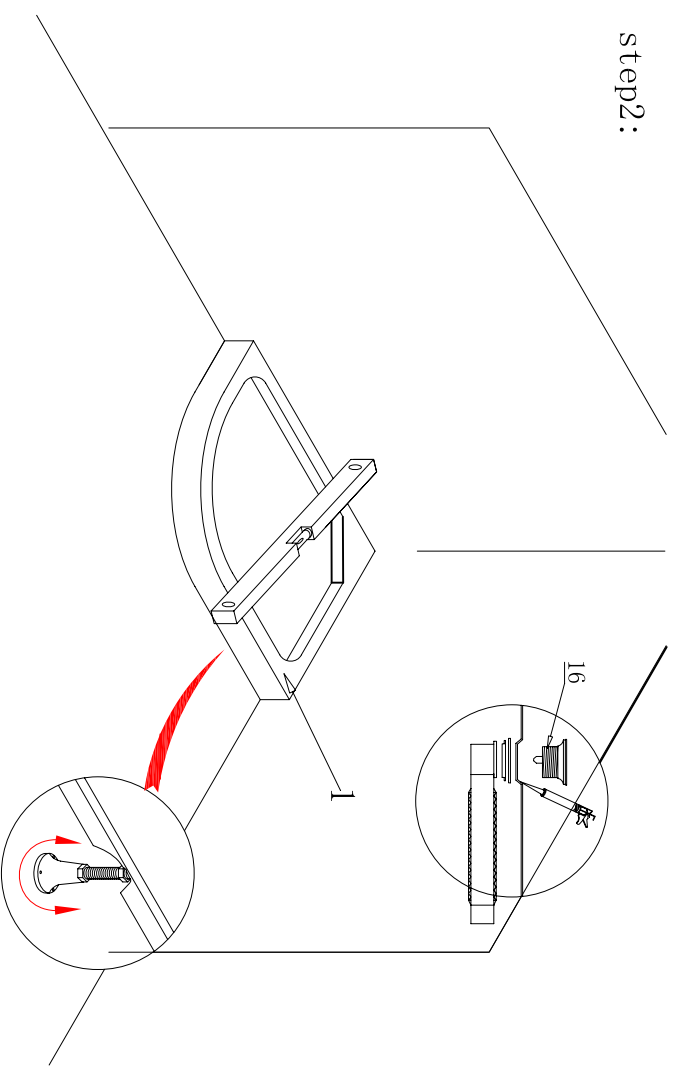
[17] x5

1

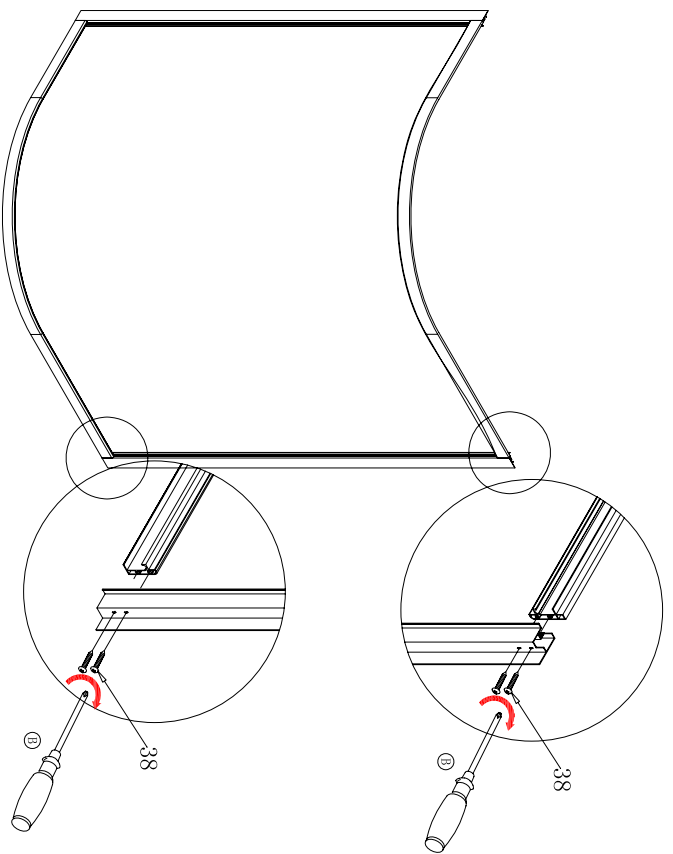
step1:



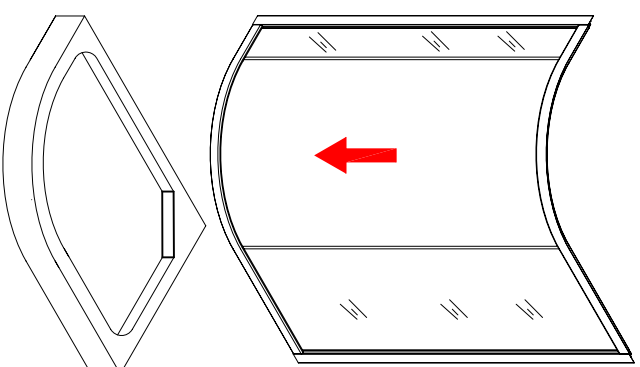
step2:



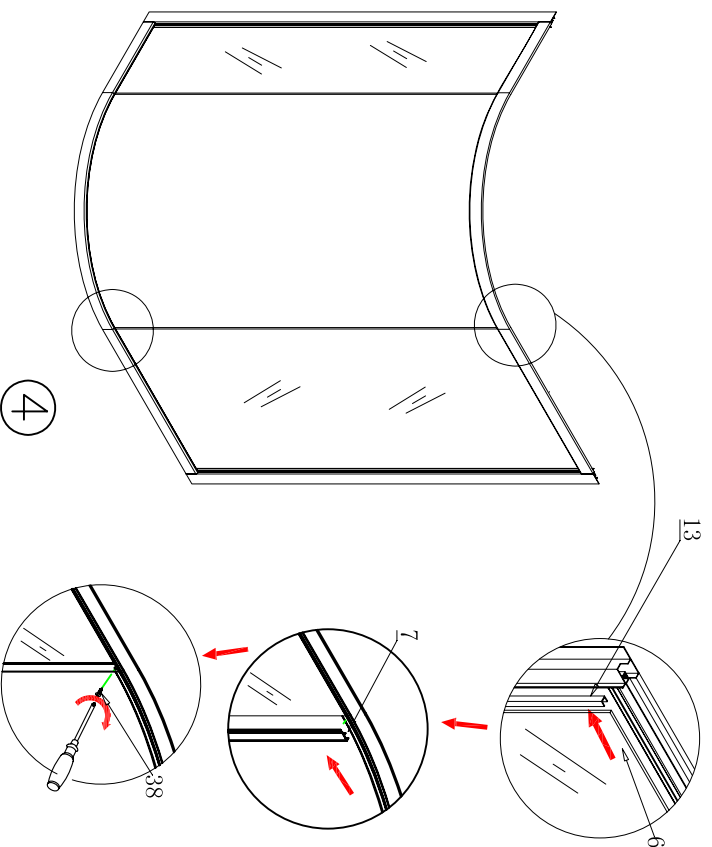
step3:



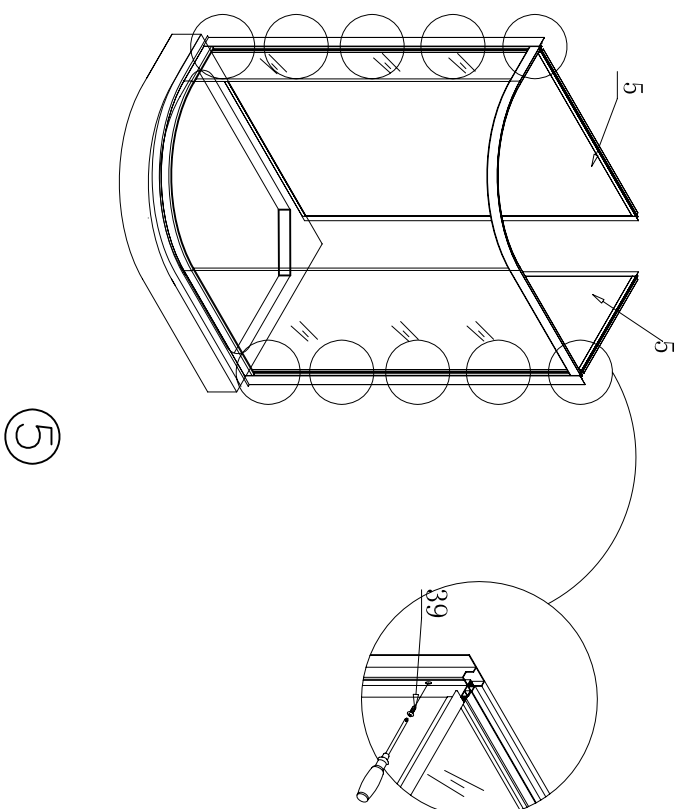
step5:



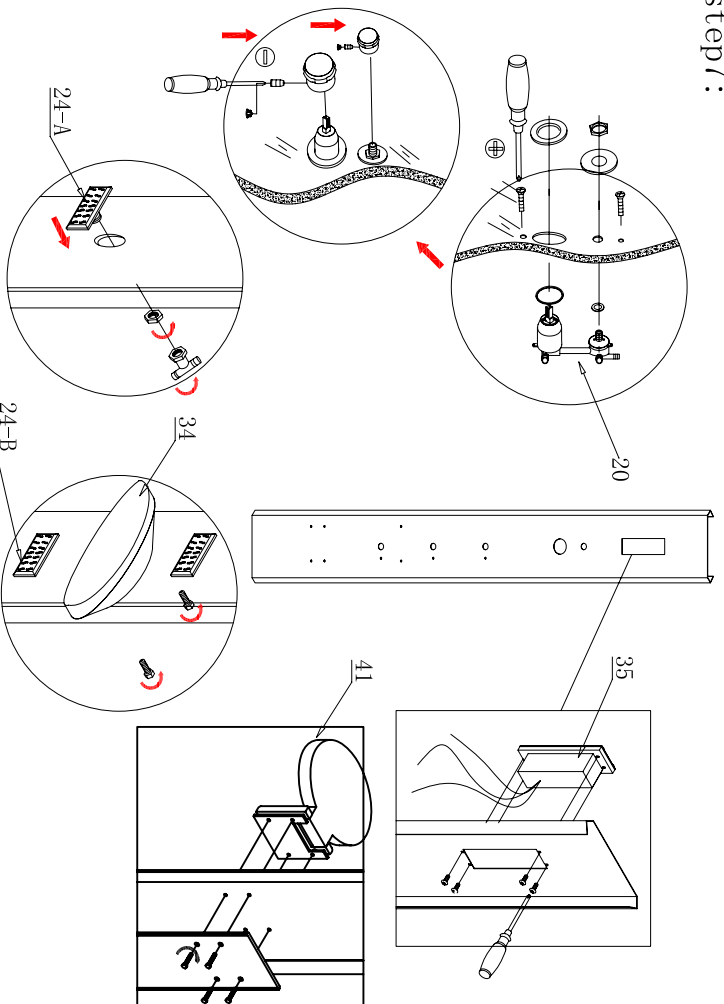
step4:



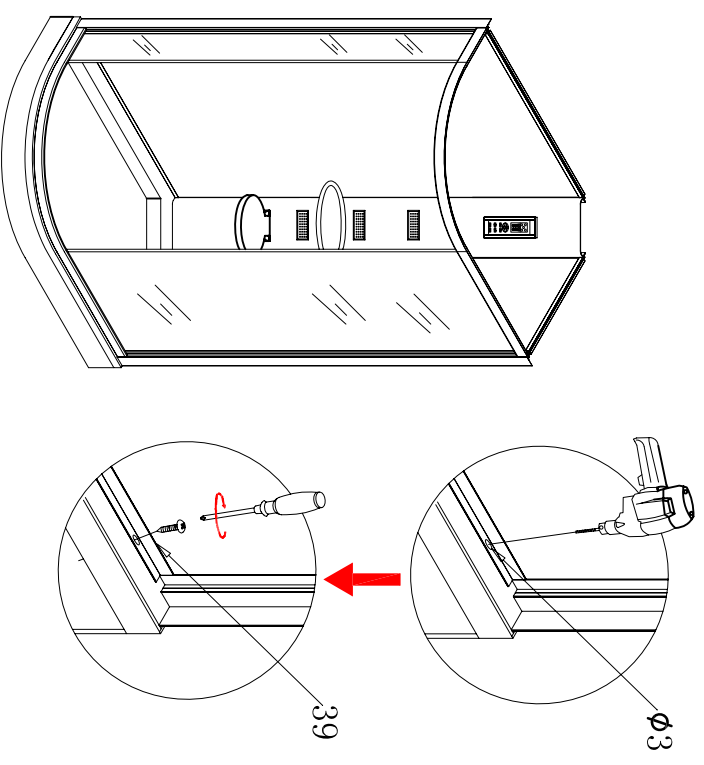
step6:



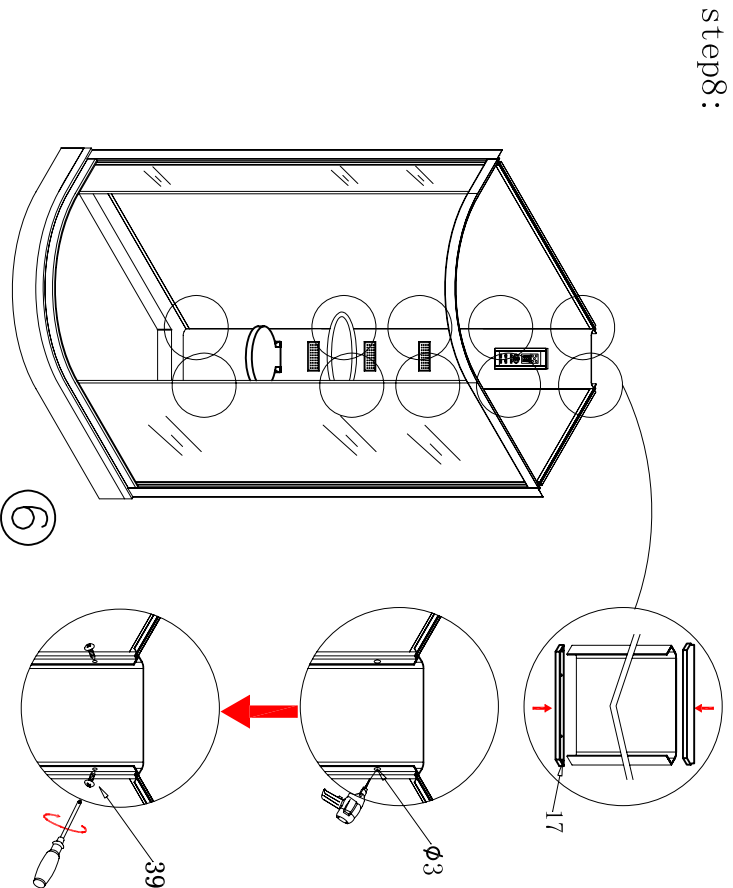
step7:



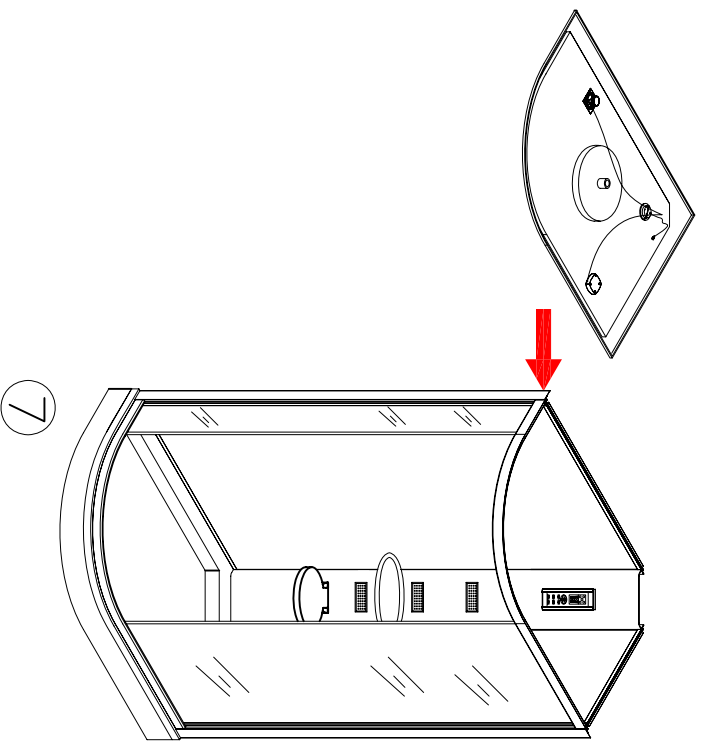
step9:



step8:



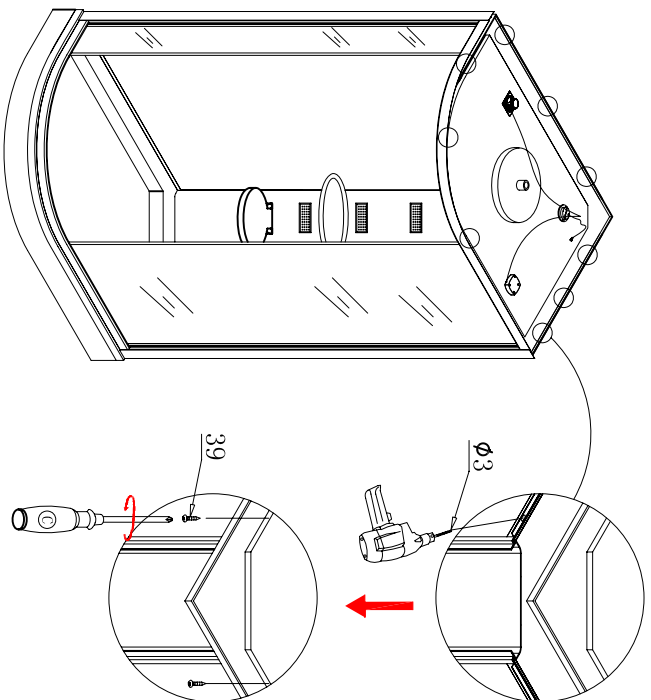
step10:



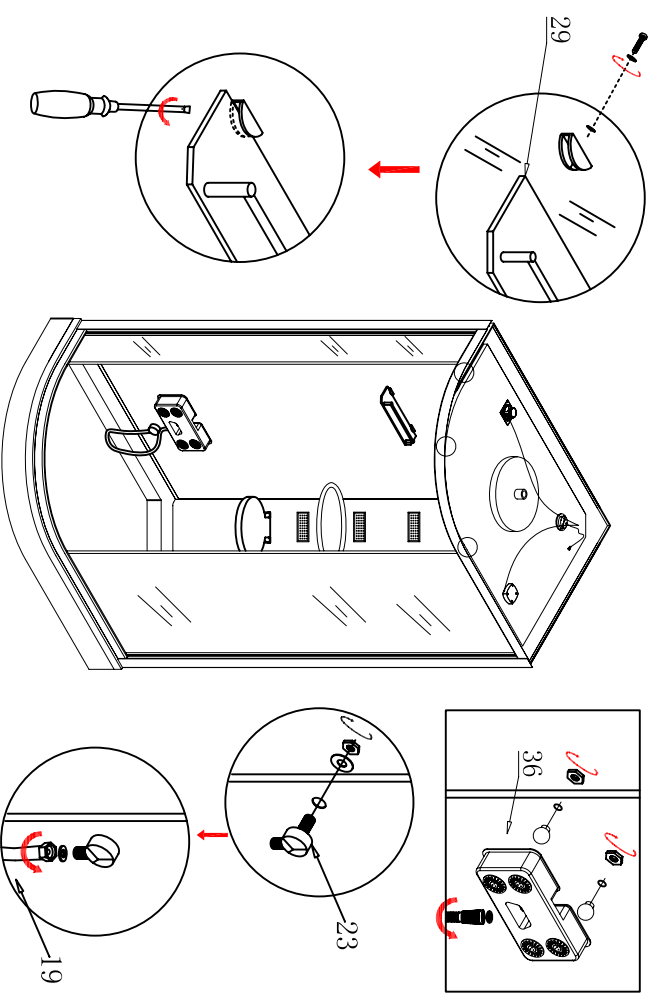
6

7

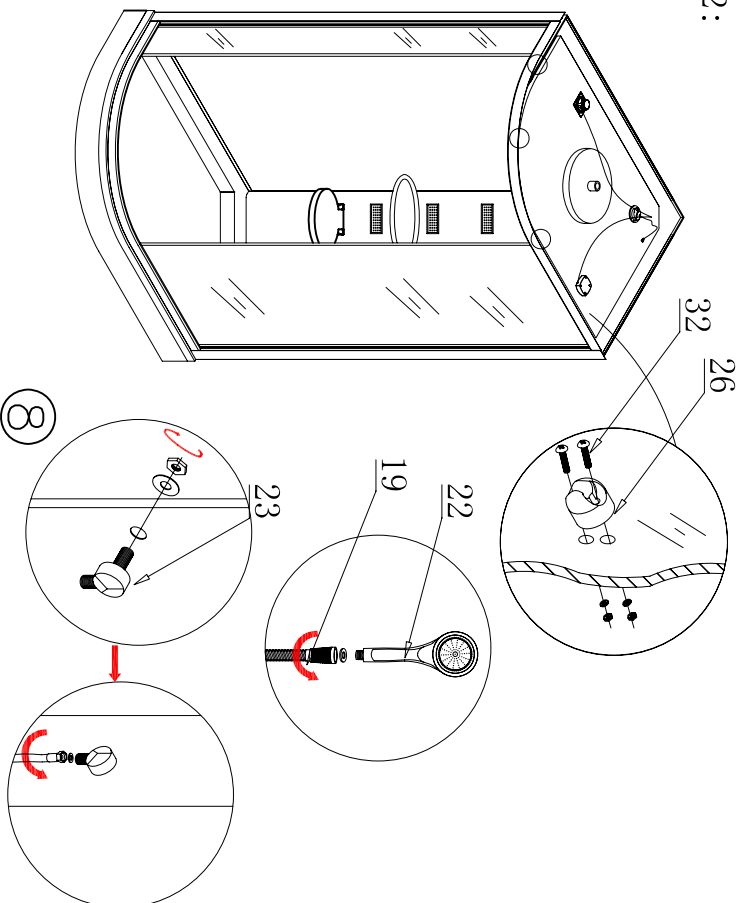
step11:



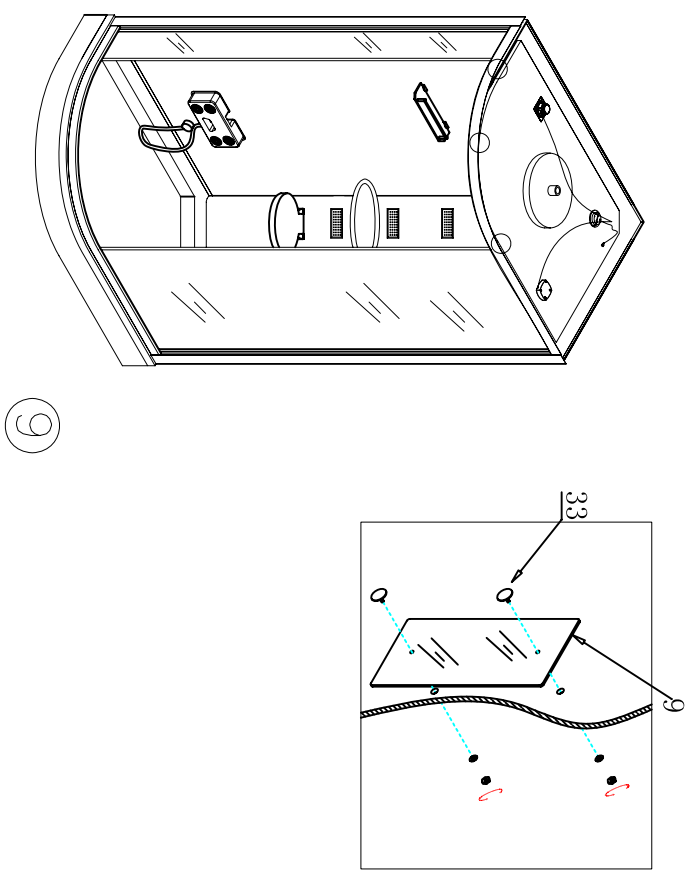
step13:



step12:



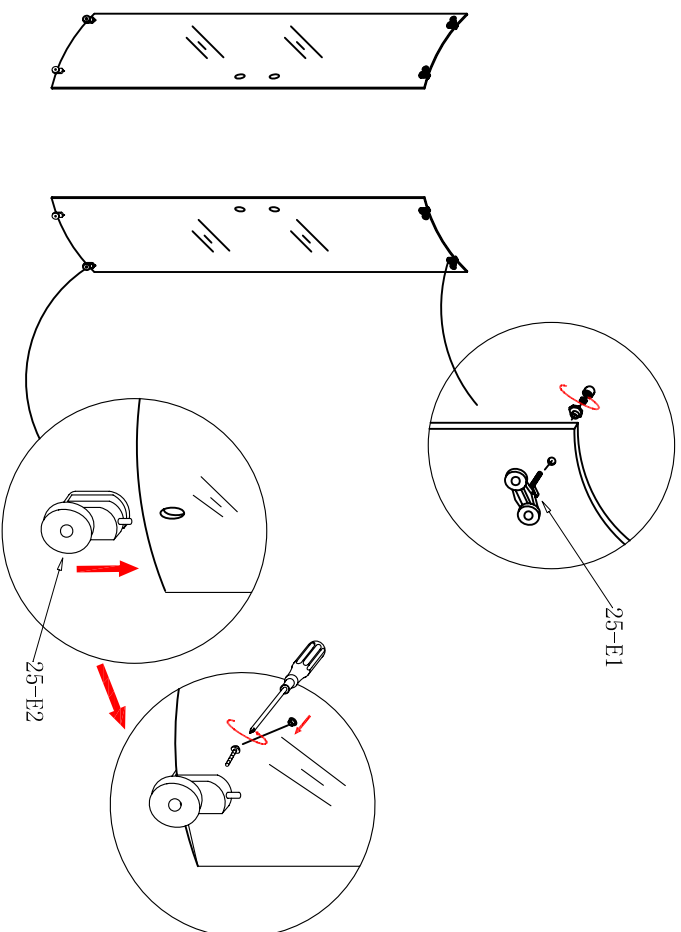
step14:



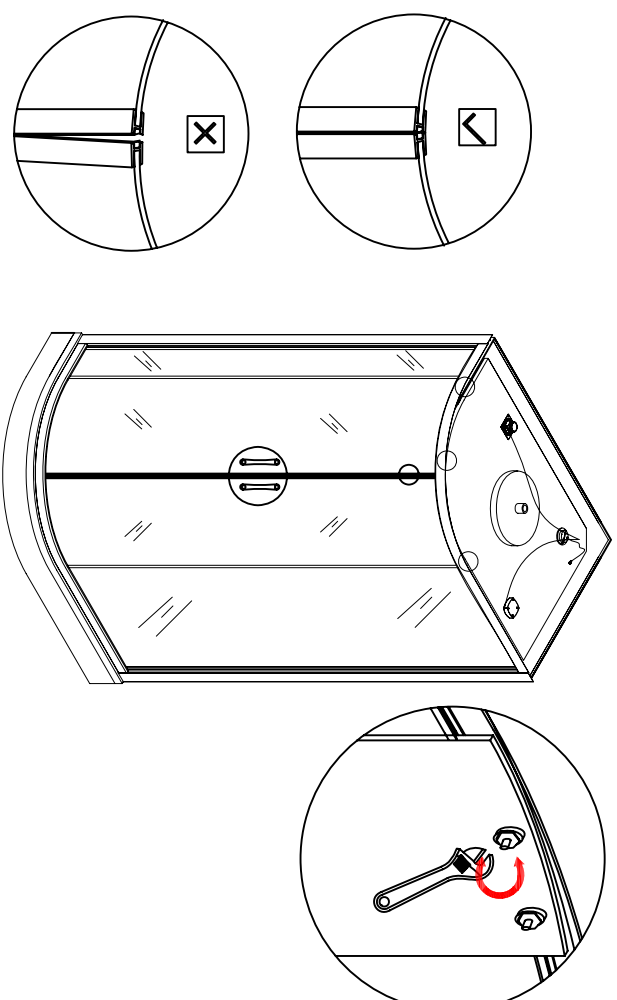
8

9

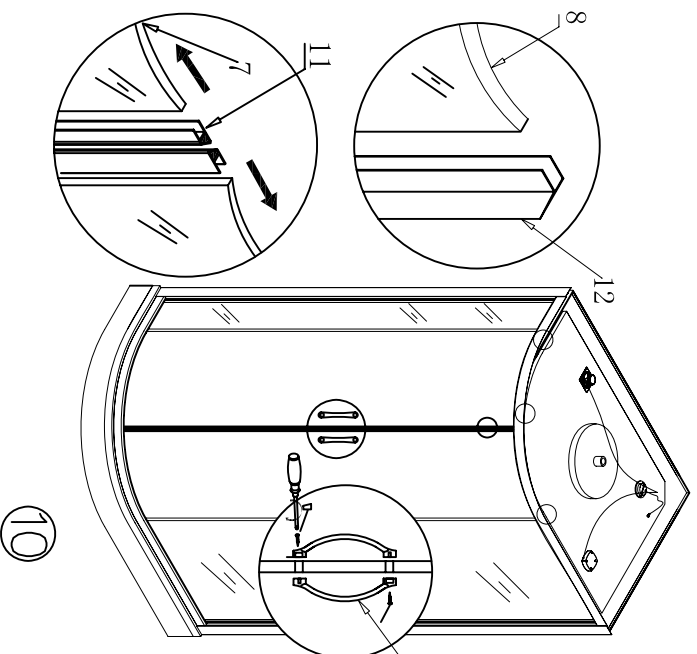
step15:



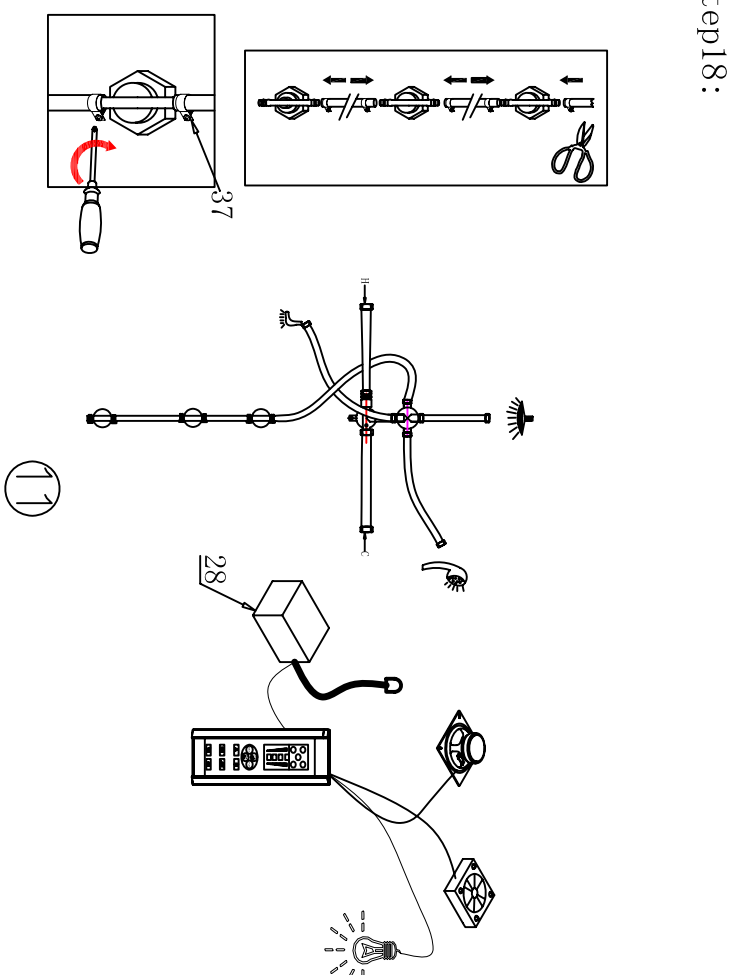
step17:



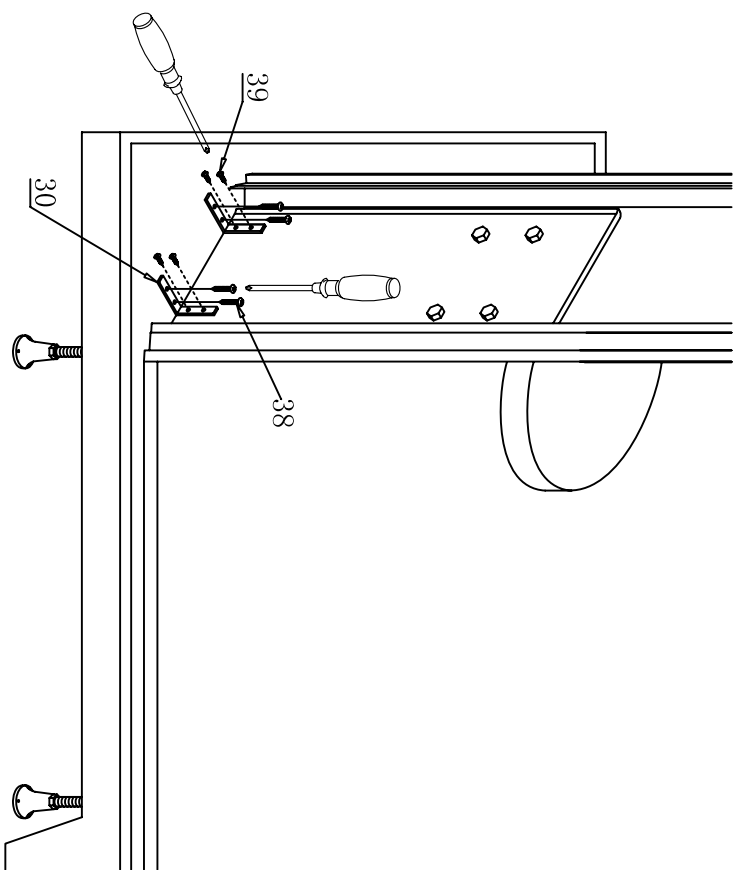
step16:



step18:



step19:



step20:

