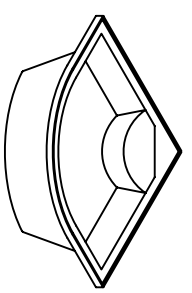
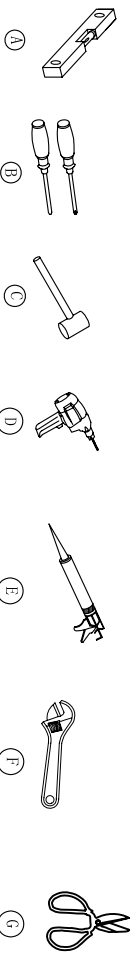
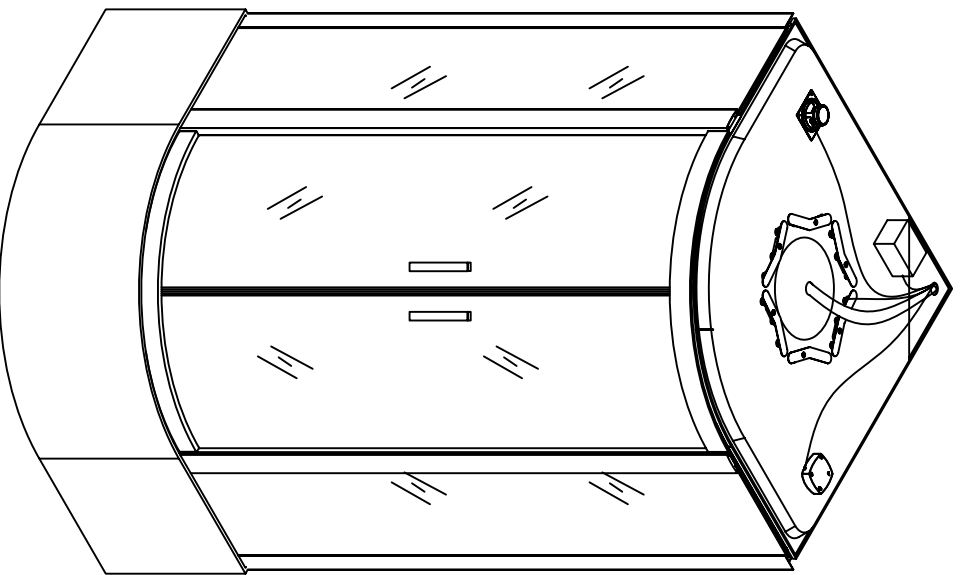
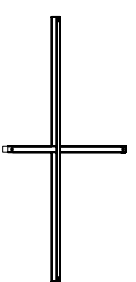


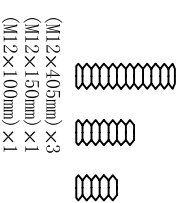
8408/4408  
8409/4409



[1]×1



[2]×1



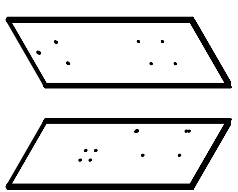
[3]



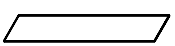
[4]×1



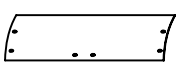
[5]×2



[6]×2



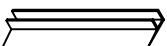
[7]×2



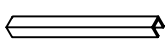
[8]×2



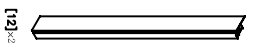
[9]×2



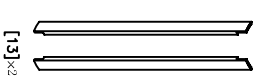
[10]×2



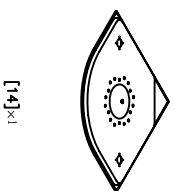
[11]×2



[12]×2



[13]×2



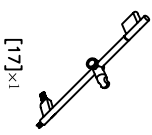
[14]×1



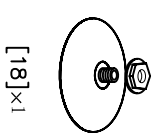
[15]×1



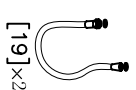
[16]×1



[17]×1



[18]×1



[19]×2



[20]×1



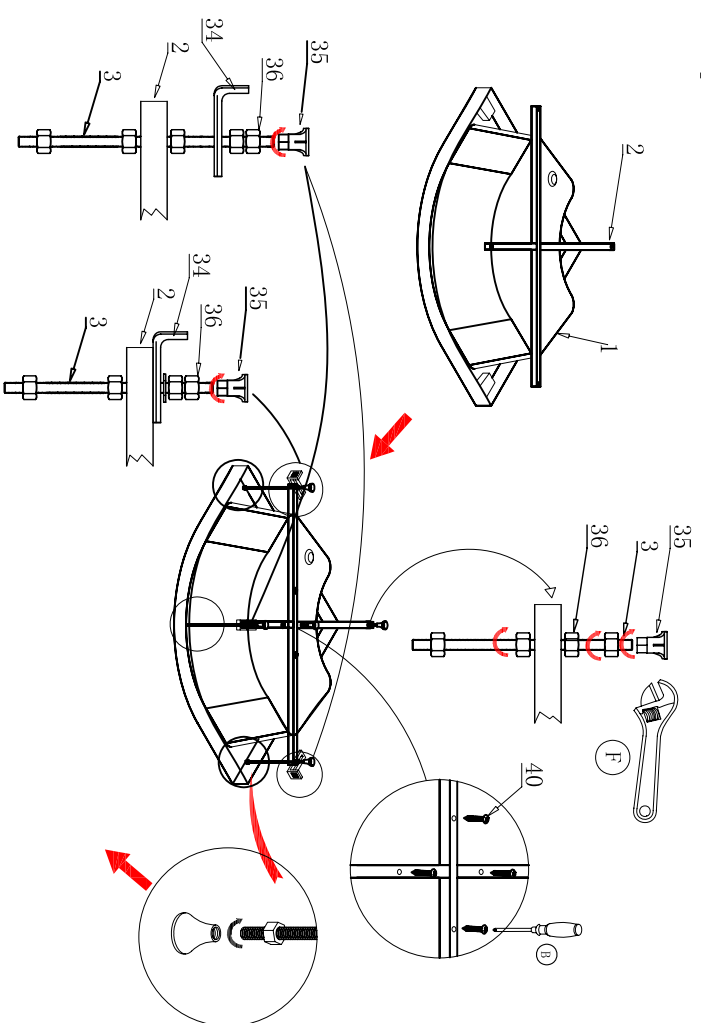
[21]×2



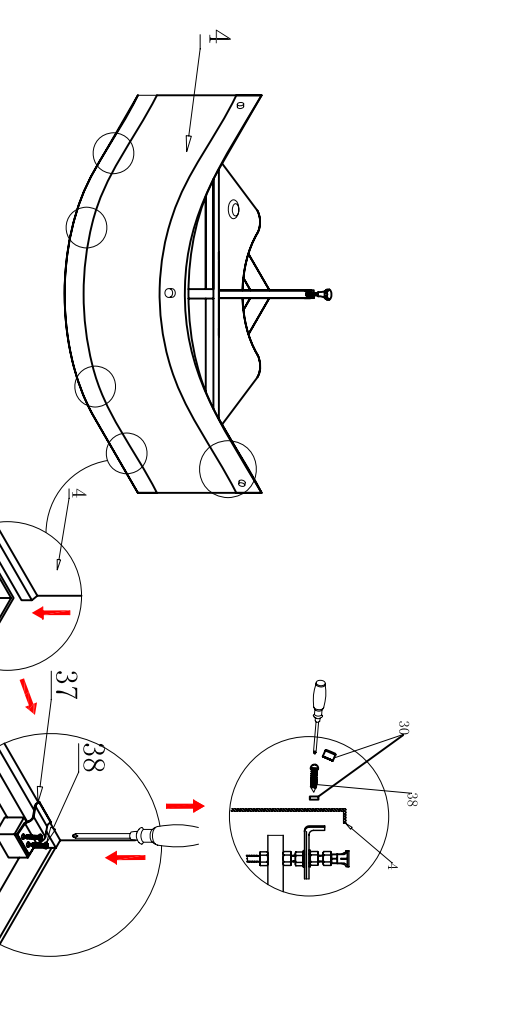
[22]×1

1

step1:

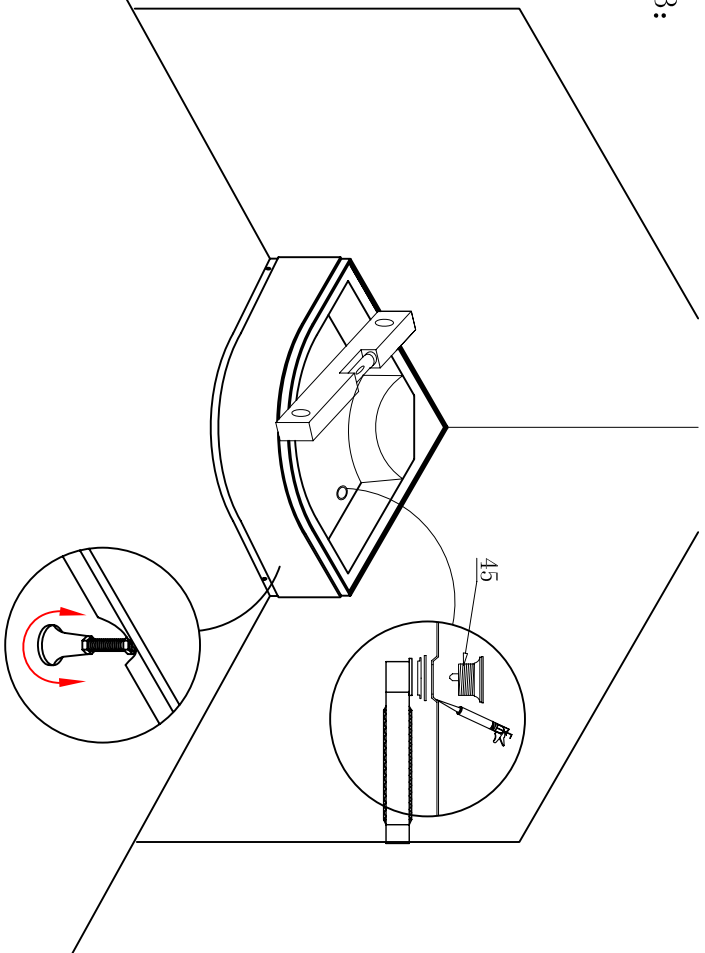


step2:

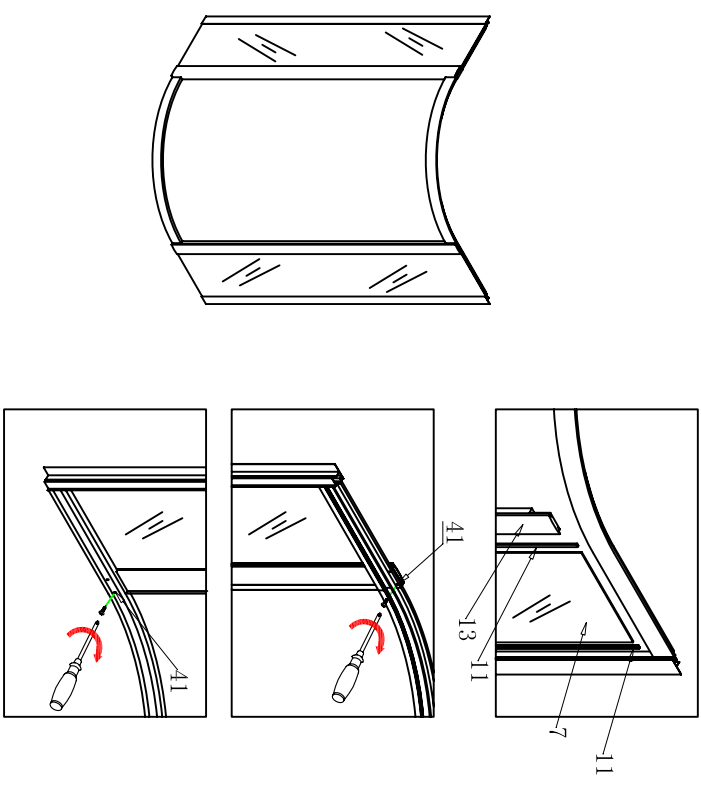


- |  |  |  |  |  |  |  |  |
|--|--|--|--|--|--|--|--|
|  |  |  |  |  |  |  |  |
|  |  |  |  |  |  |  |  |
|  |  |  |  |  |  |  |  |
|  |  |  |  |  |  |  |  |
|  |  |  |  |  |  |  |  |
|  |  |  |  |  |  |  |  |

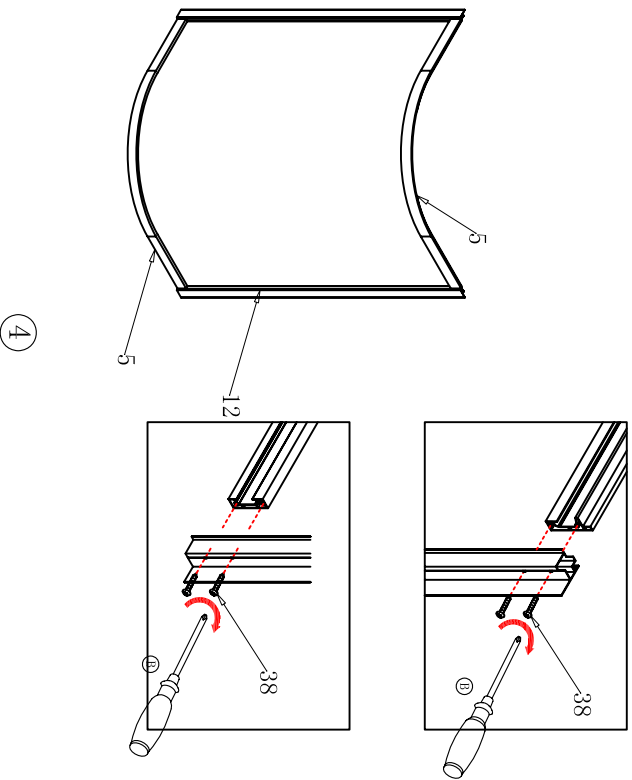
step3:



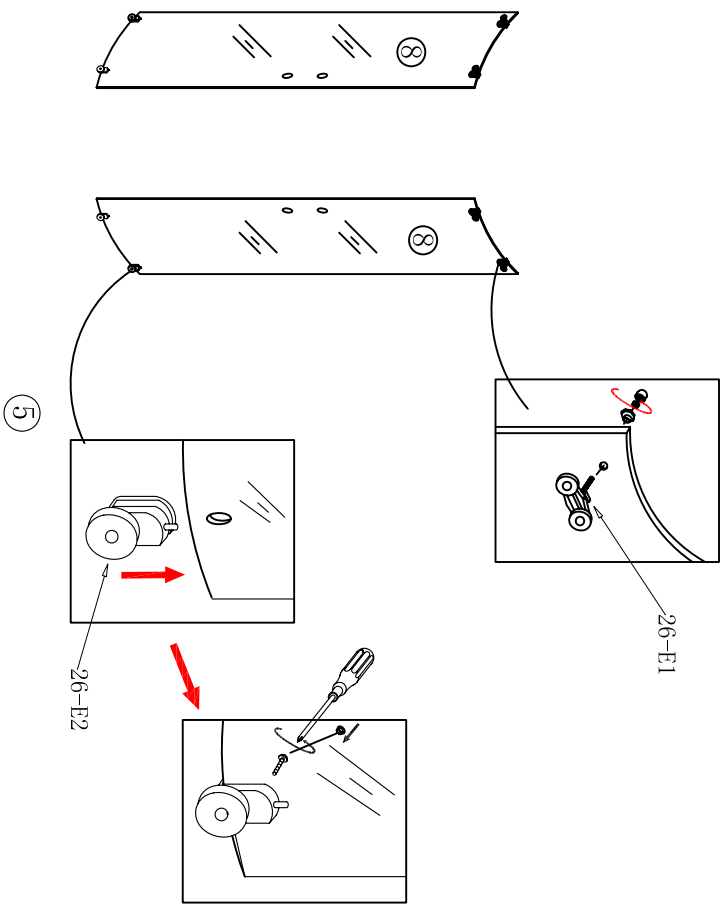
step5:



step4:



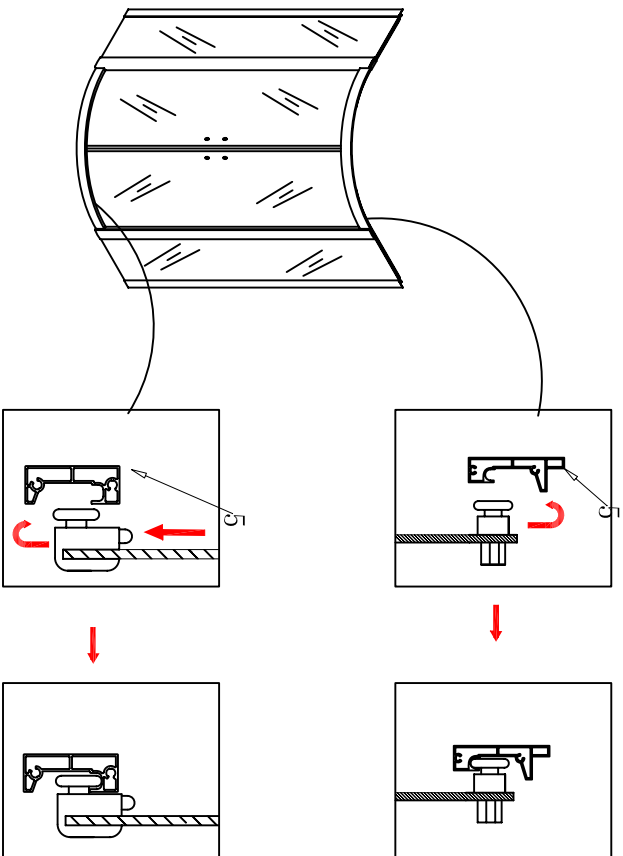
step6:



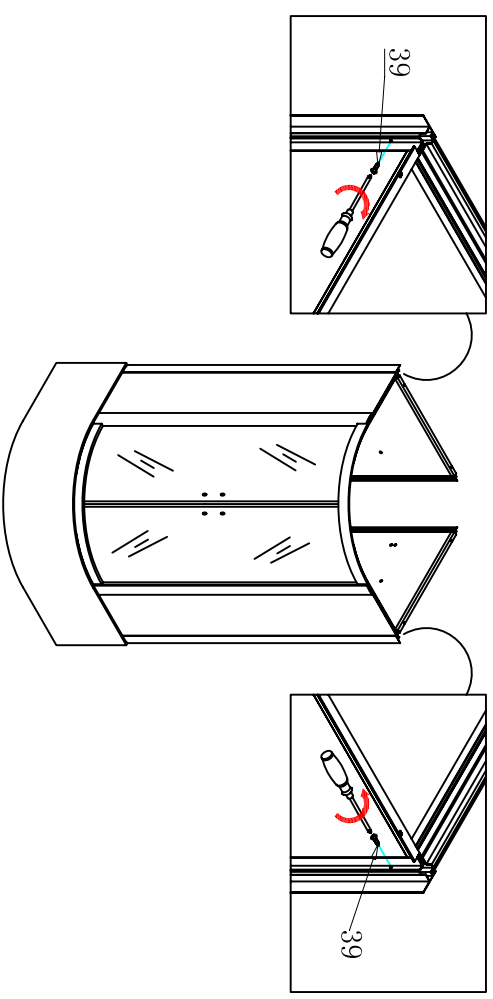
4

5

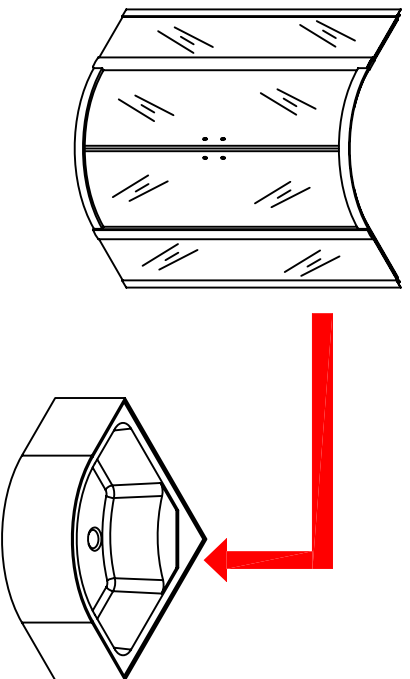
step7:



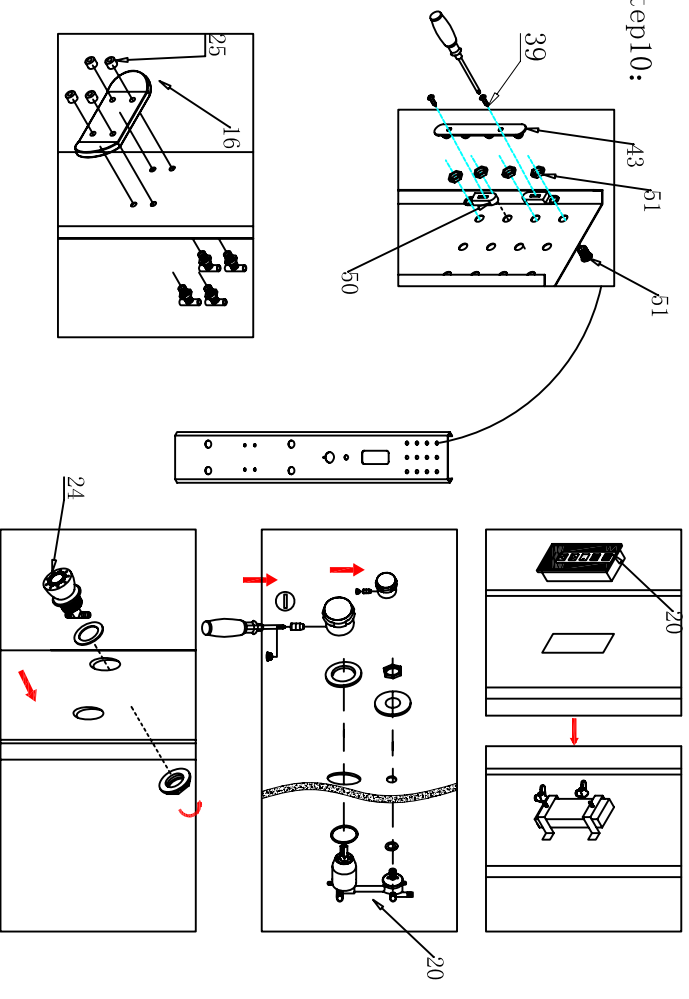
step9:



step8:



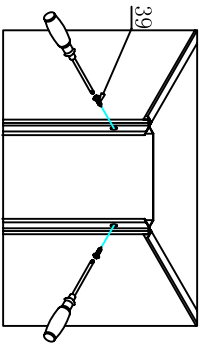
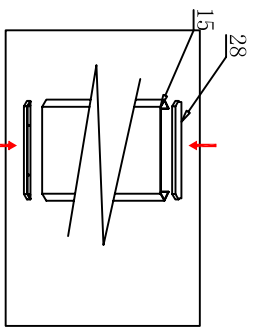
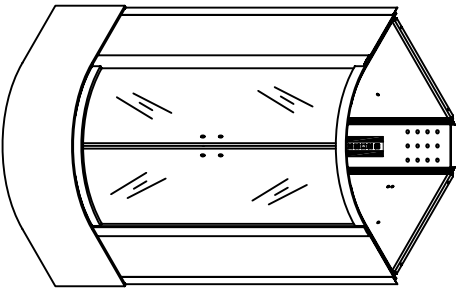
step10:



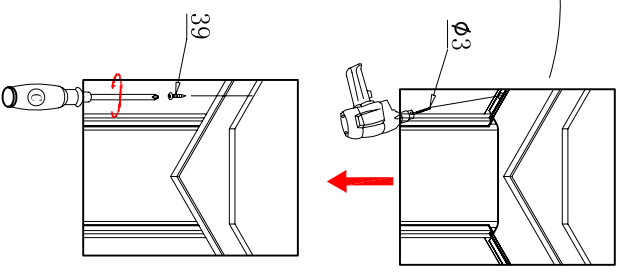
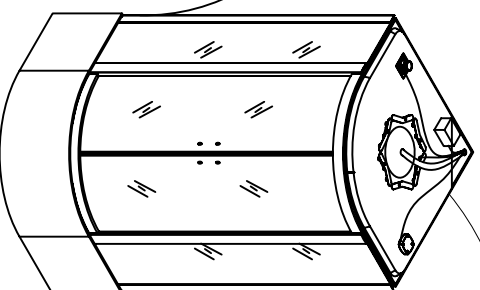
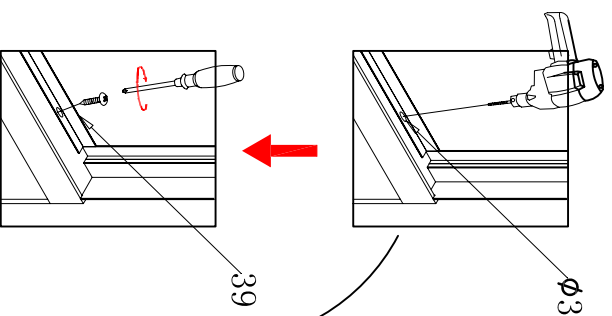
⑥

⑦

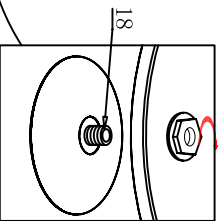
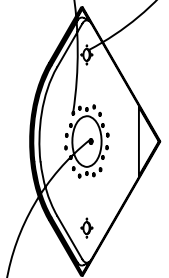
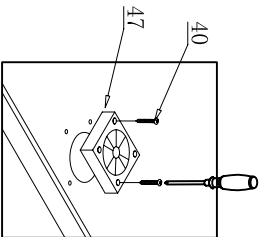
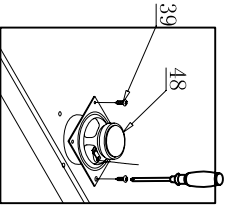
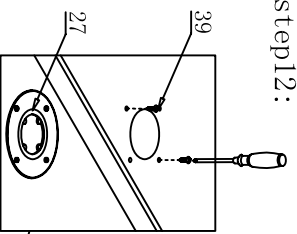
step11:



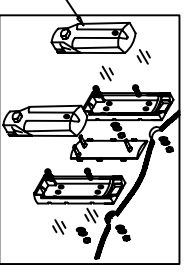
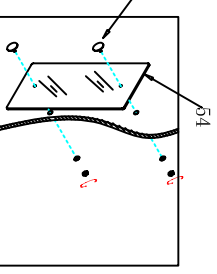
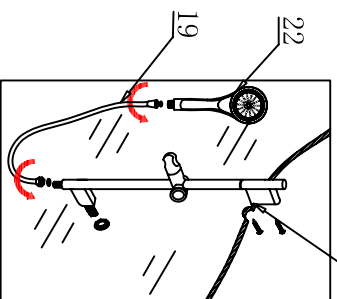
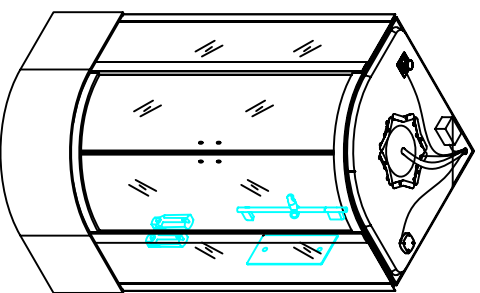
step13:



step12:



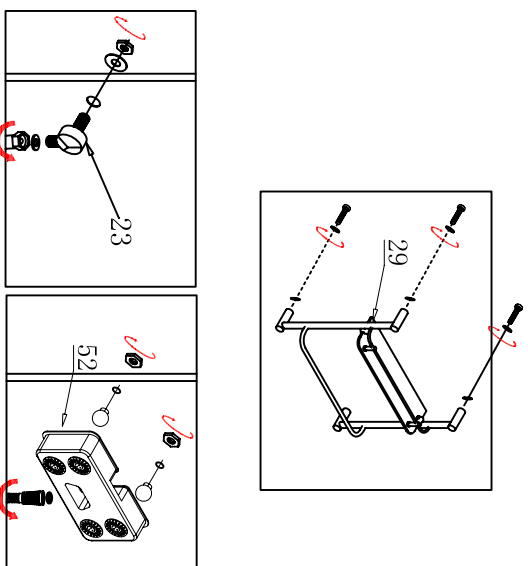
step14:



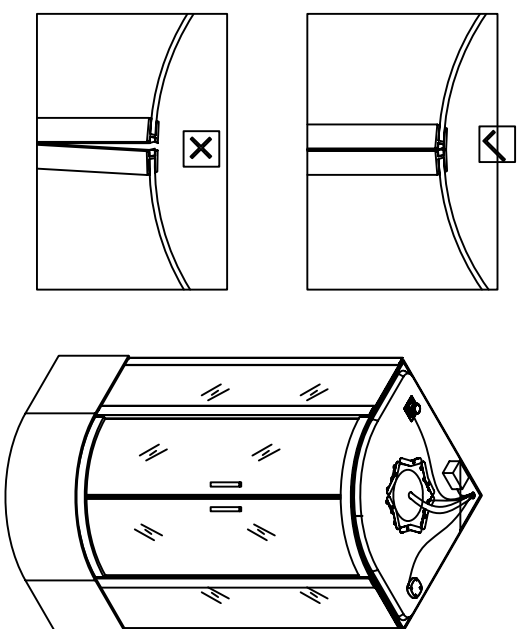
8

9

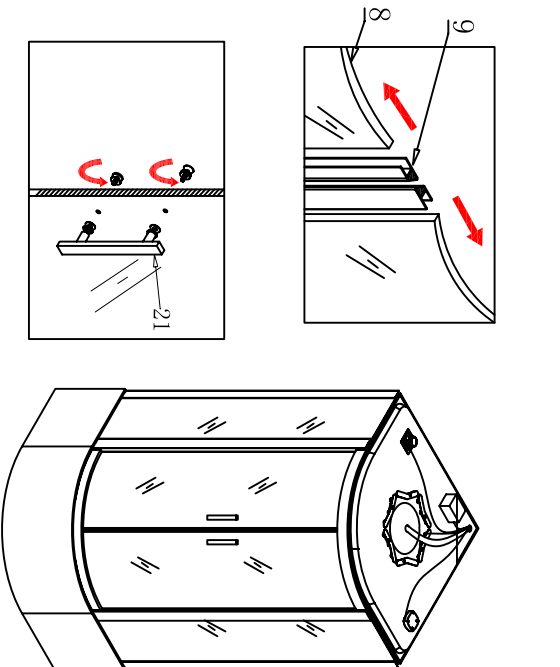
step15:



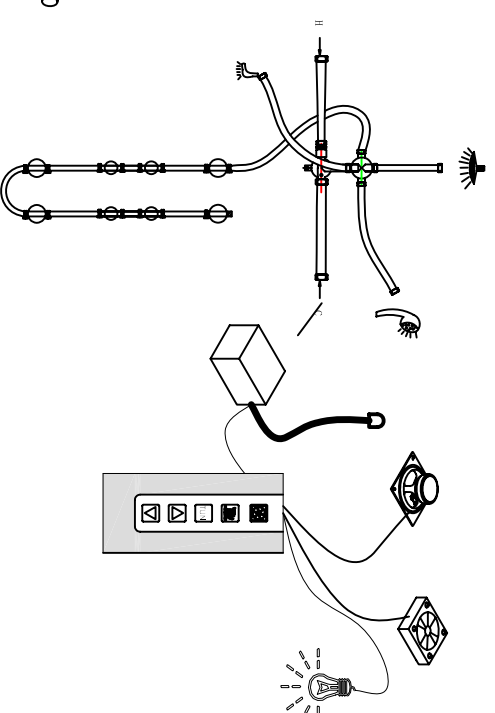
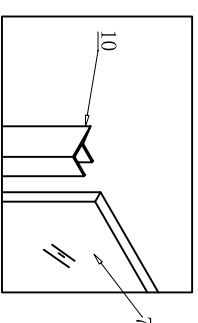
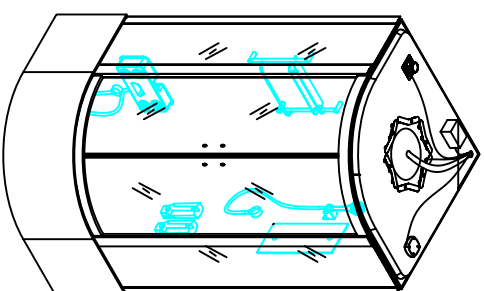
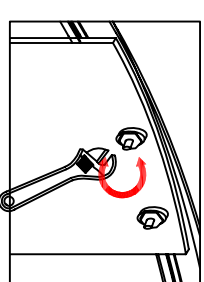
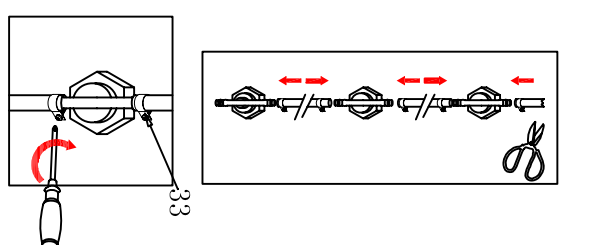
step17:



step16:



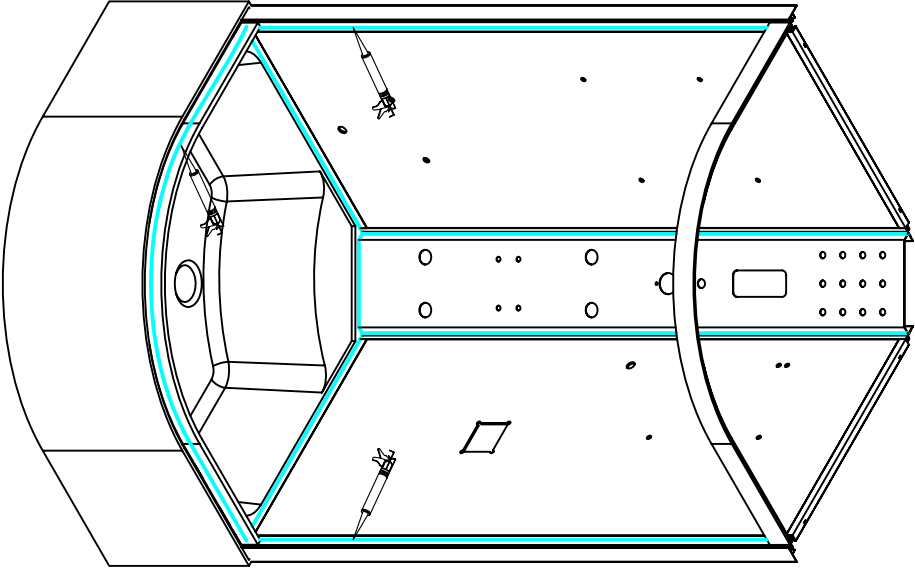
step18:



10

11

step19:



12