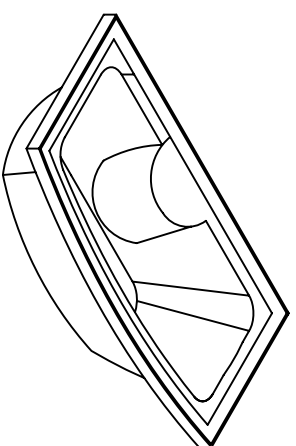
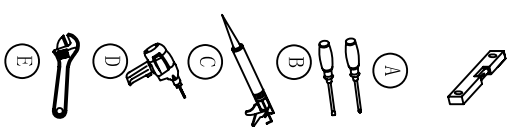
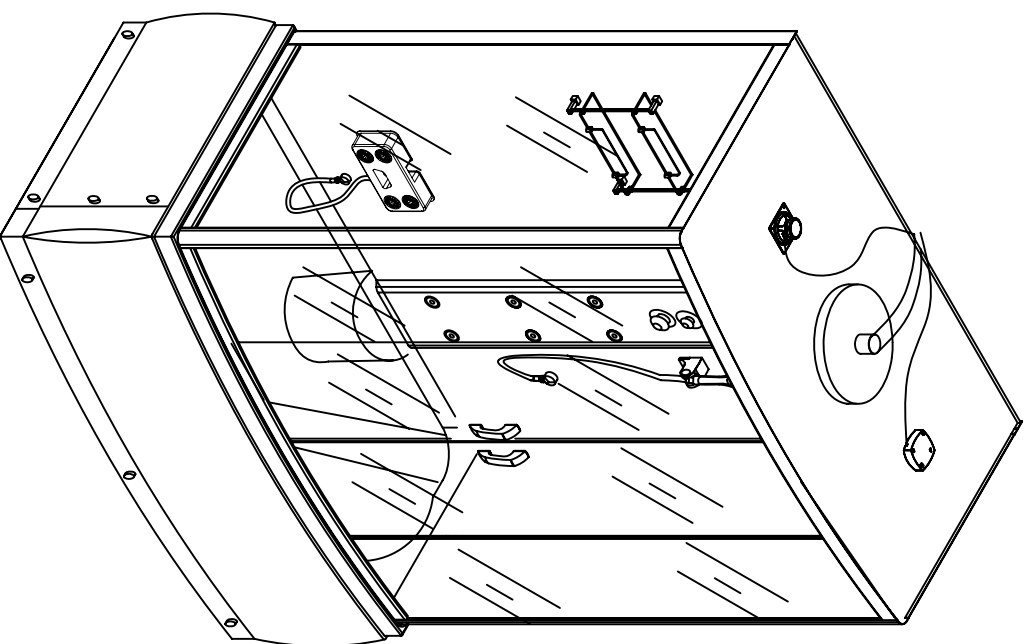
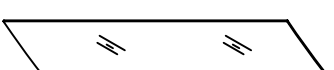


3412/3413

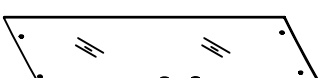
7412/7413/7418



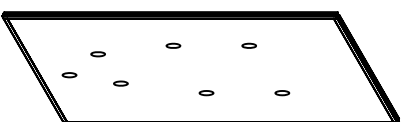
[1]x1



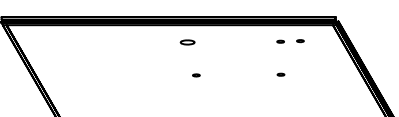
[2]x2



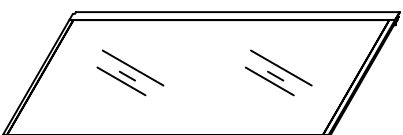
[3]x2



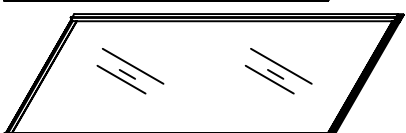
4]x1



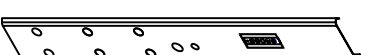
[5]x1



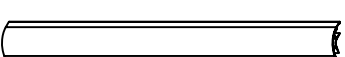
[6]x1



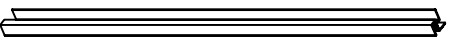
[7]x1



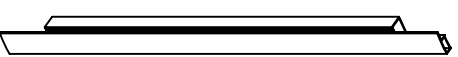
[8]x1



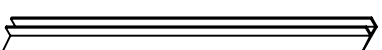
[9]x2



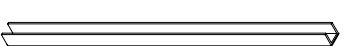
[10]x2



[11]x2



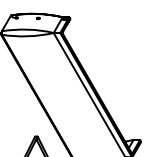
[12]x2



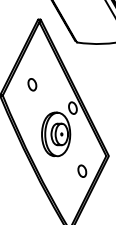
[13]x4



[14]x2



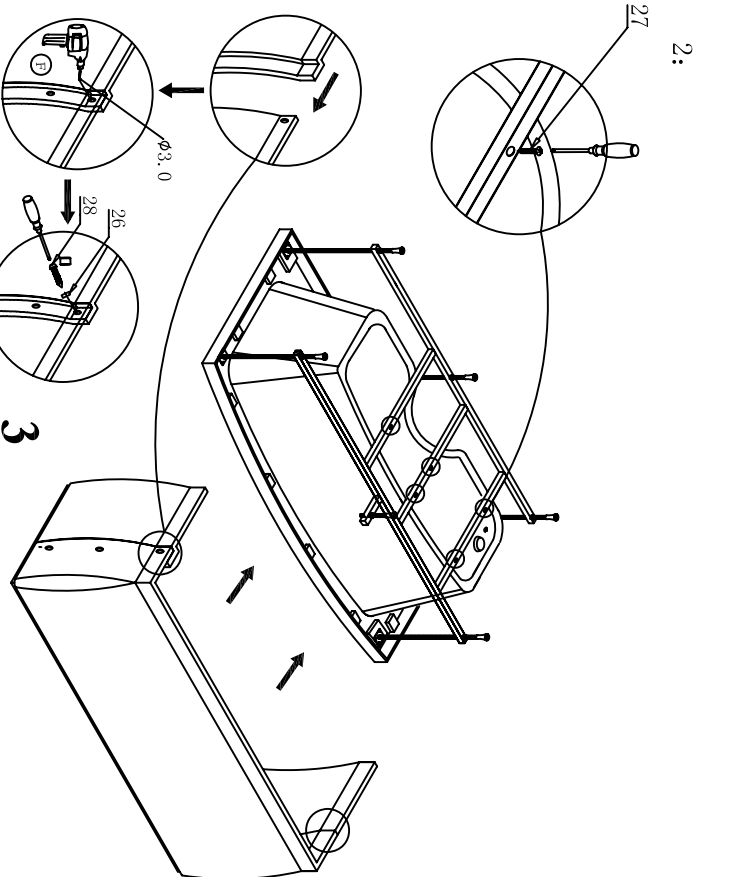
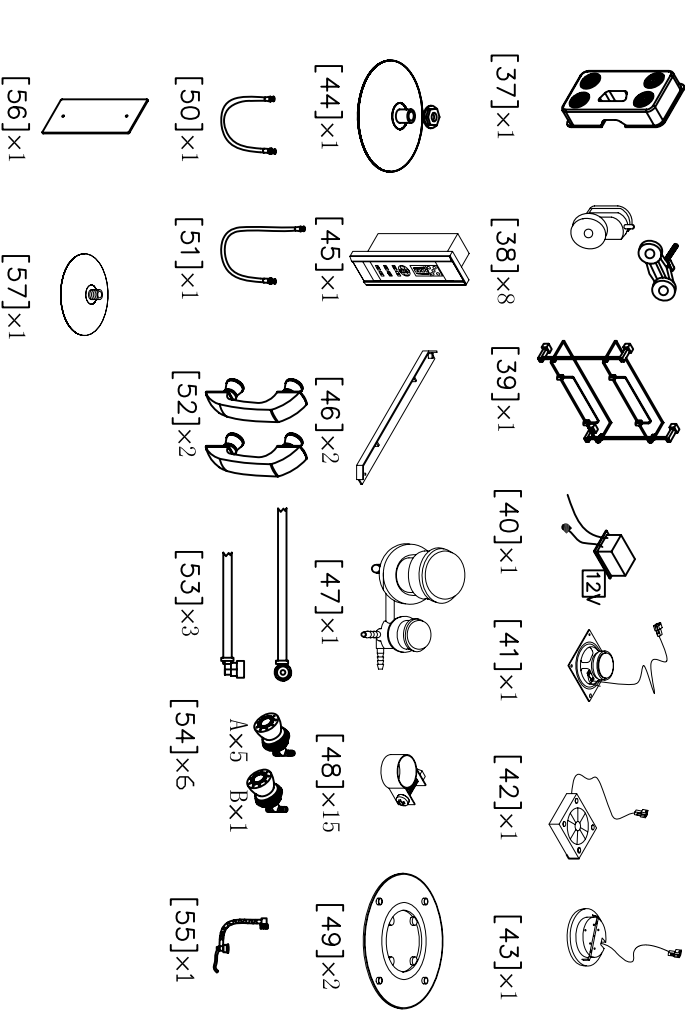
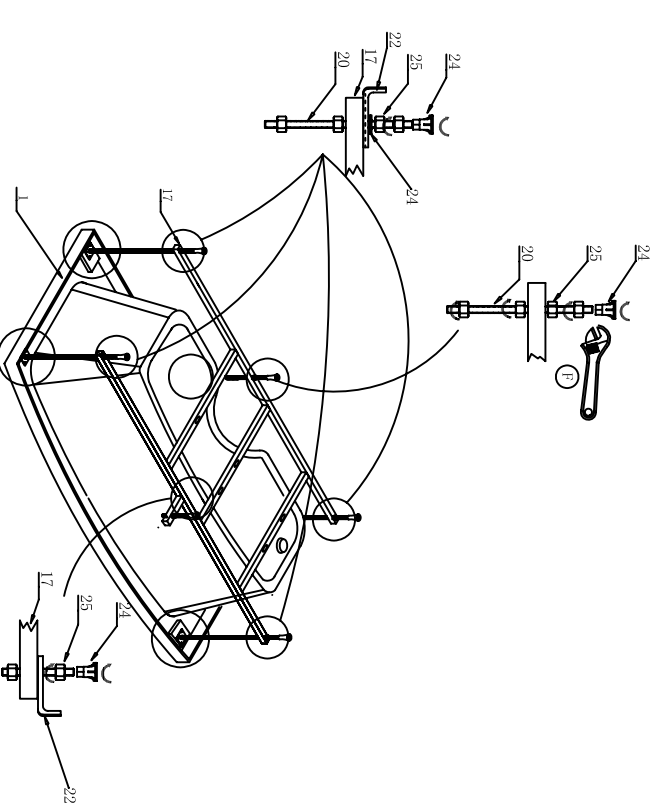
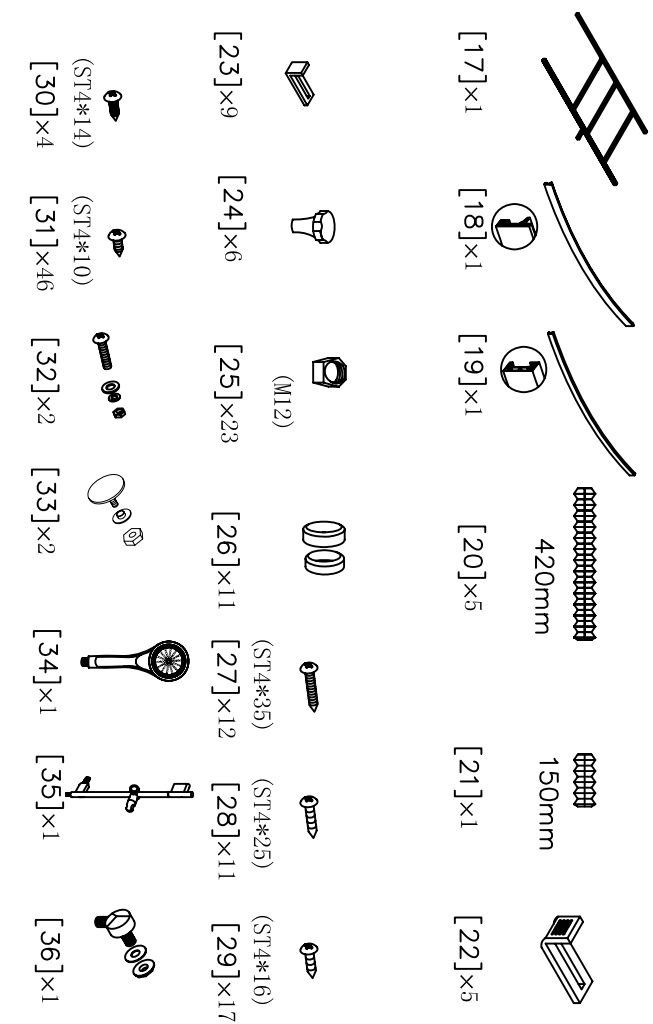
[15]x1



[16]x1

**1**

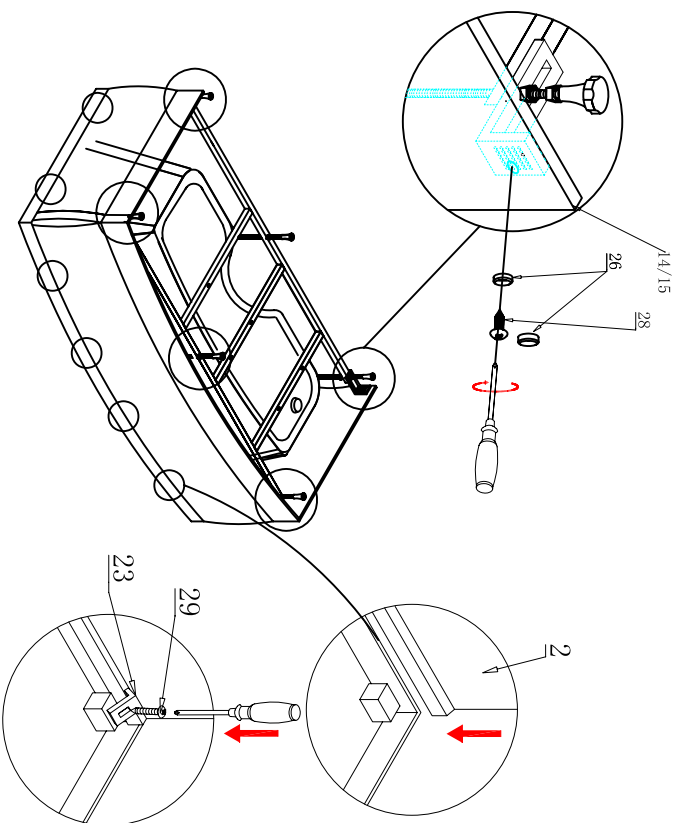
1:



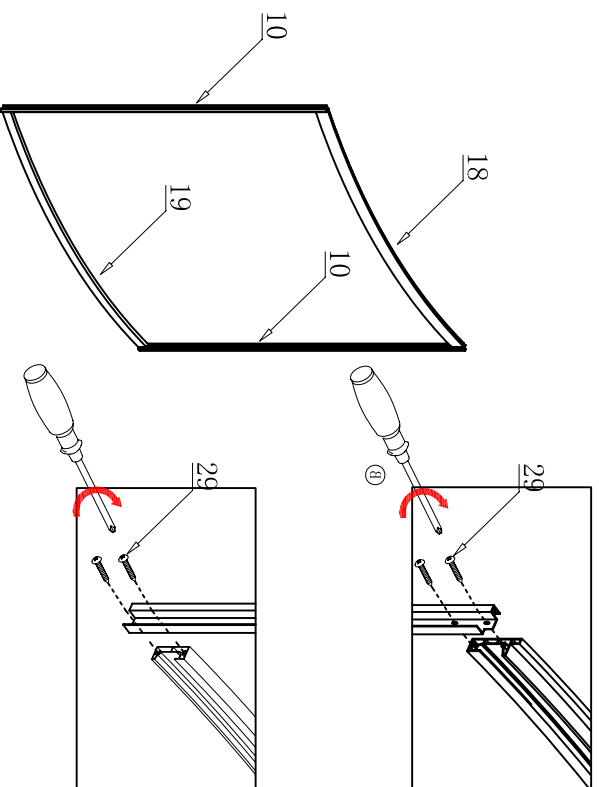
2

3

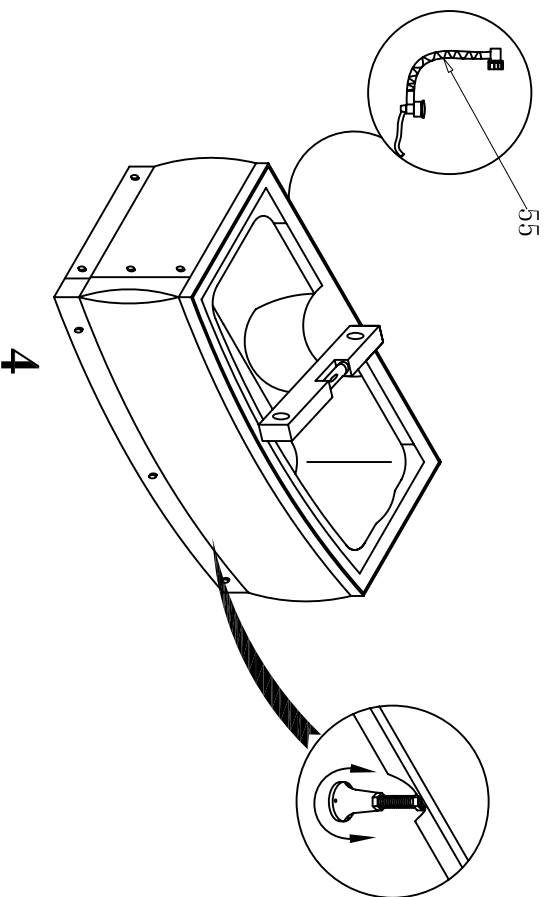
3:



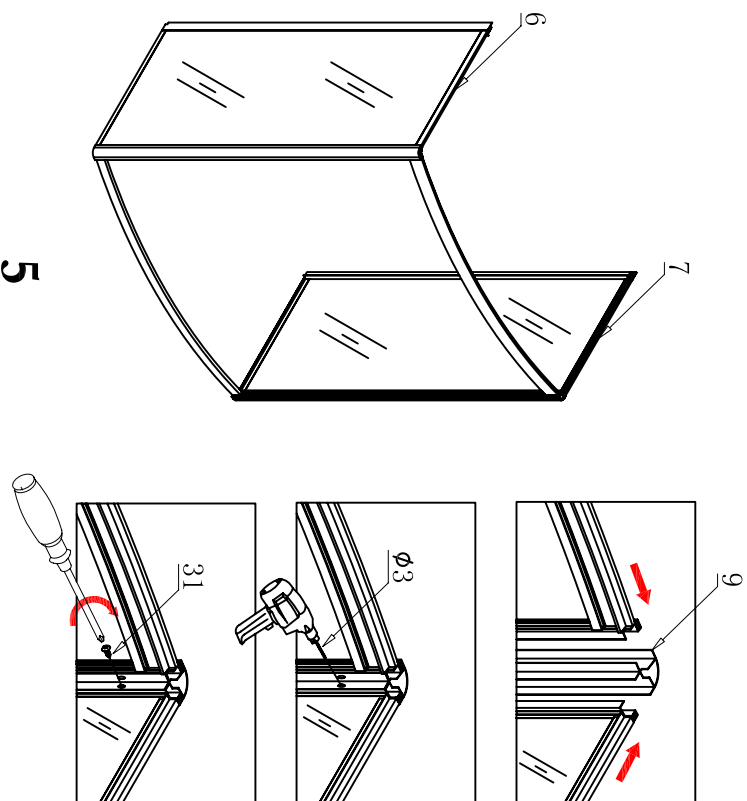
5:



4:



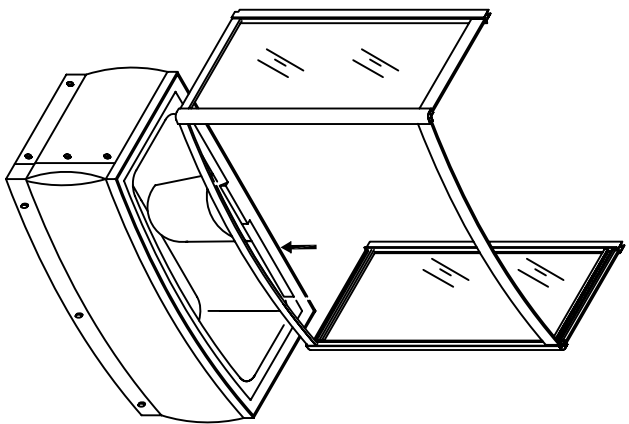
6:



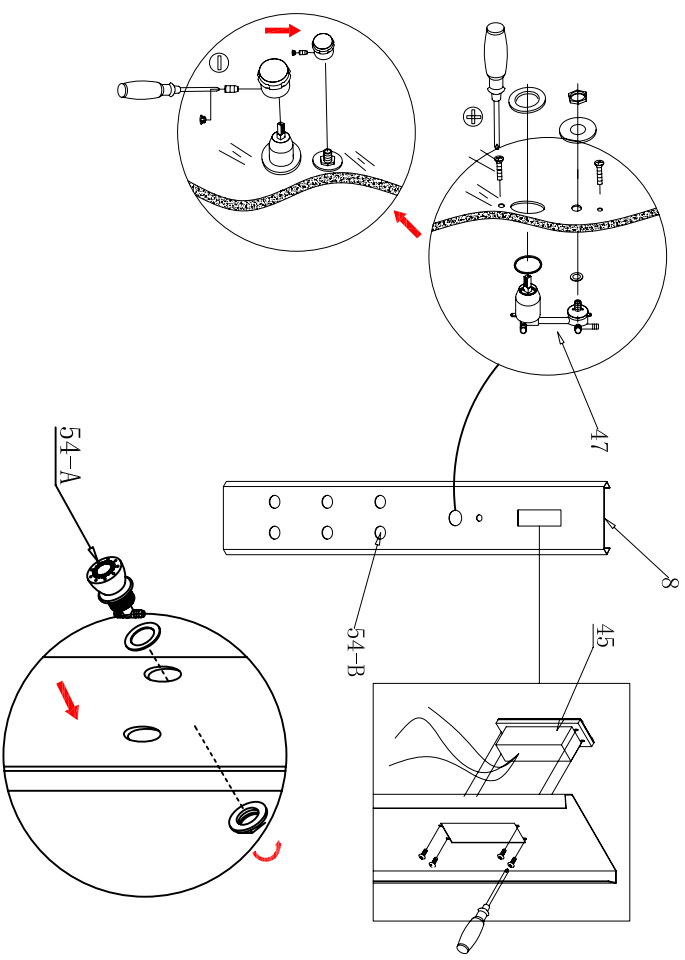
4

5

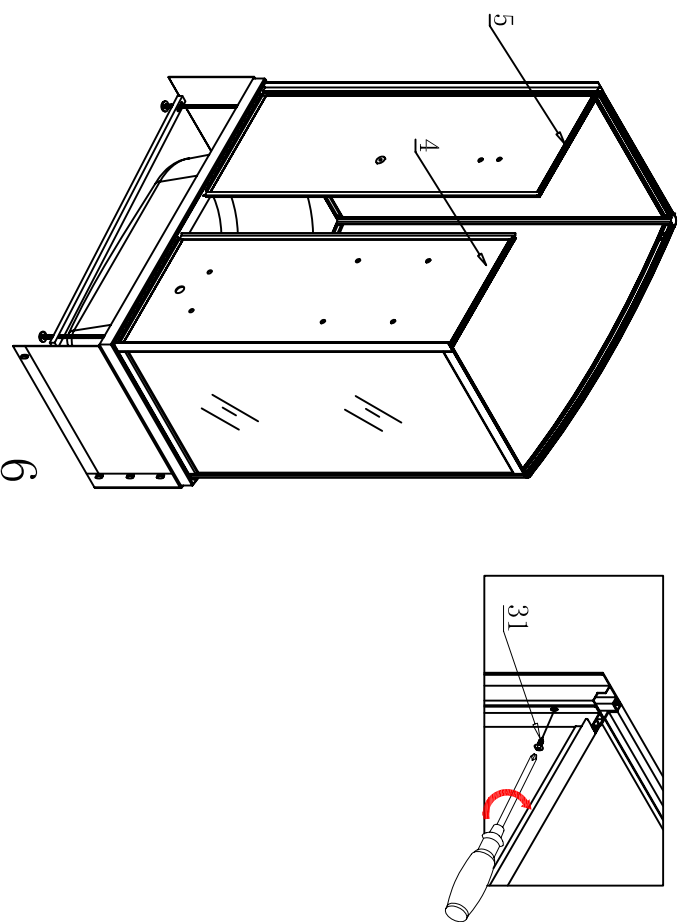
7:



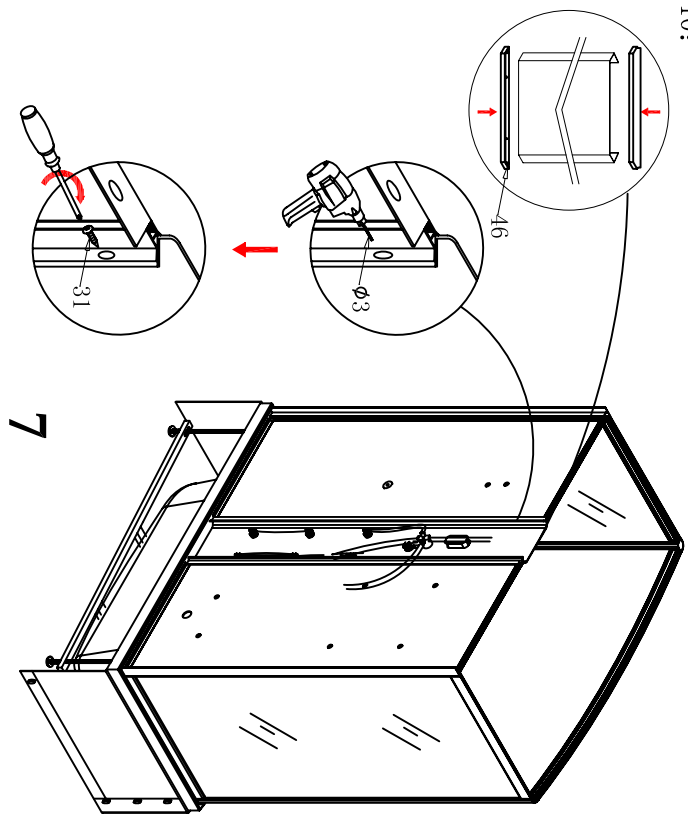
9:



8:



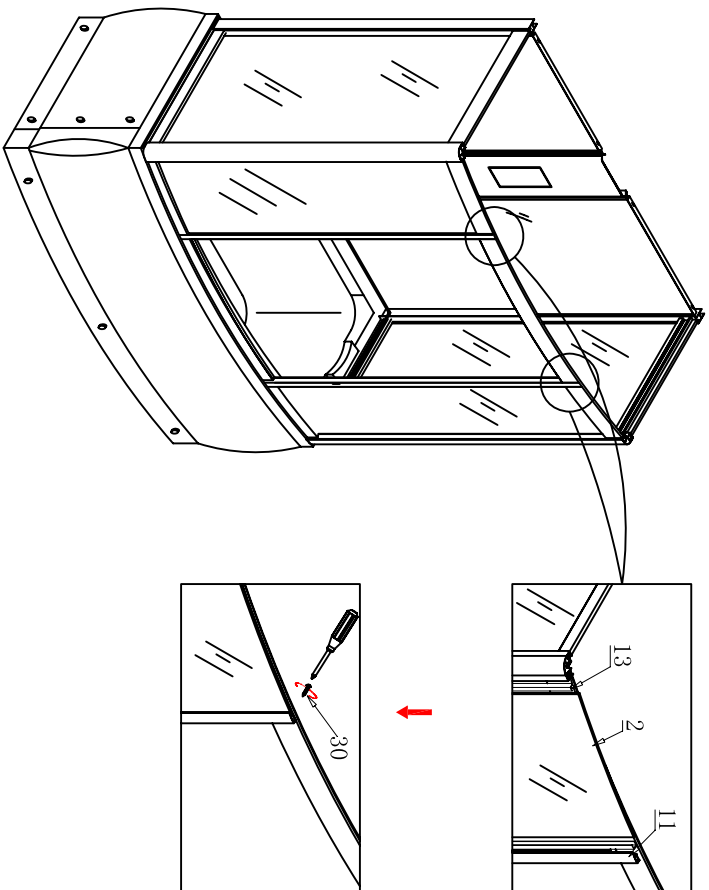
10:



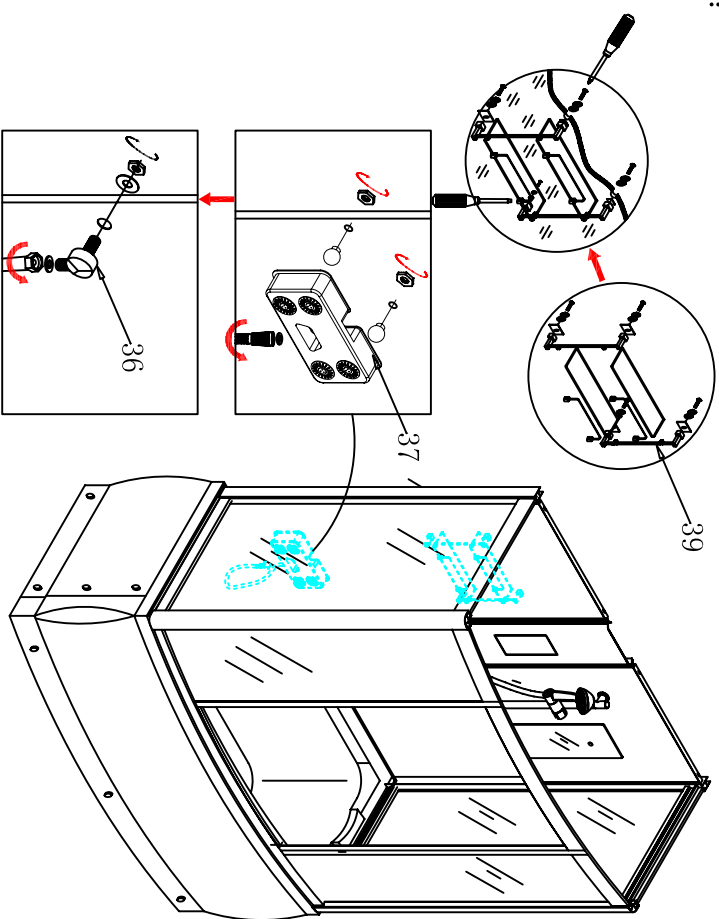
6

7

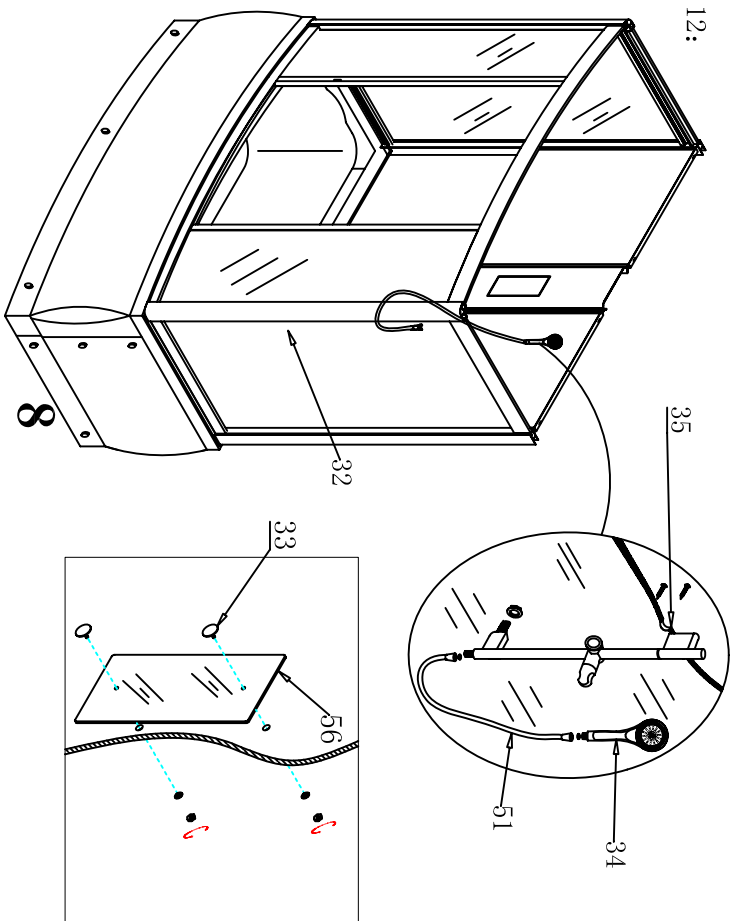
11:



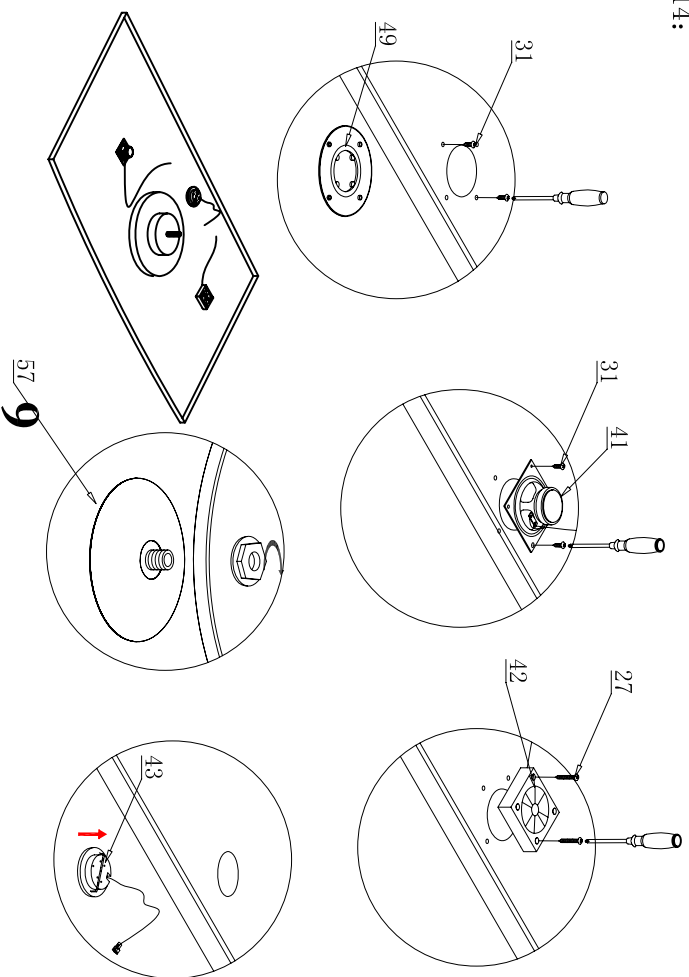
13:



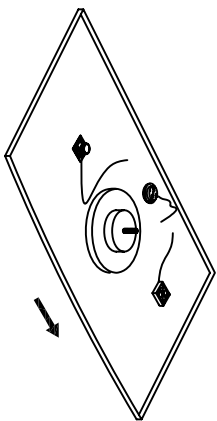
12:



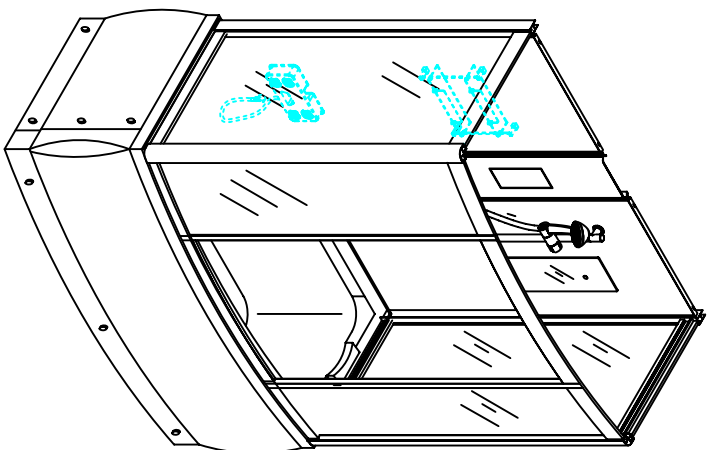
14:



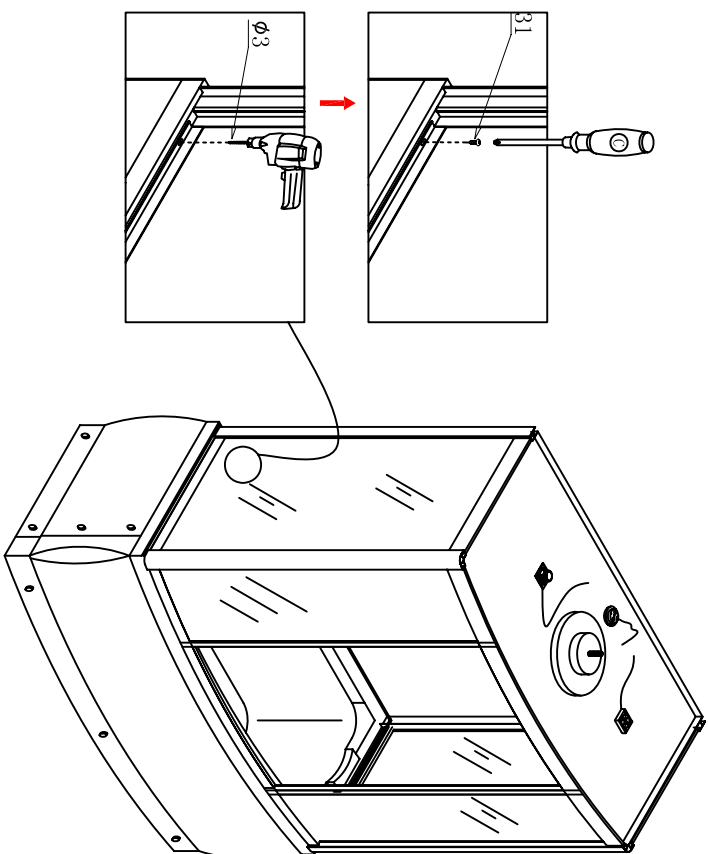
15:



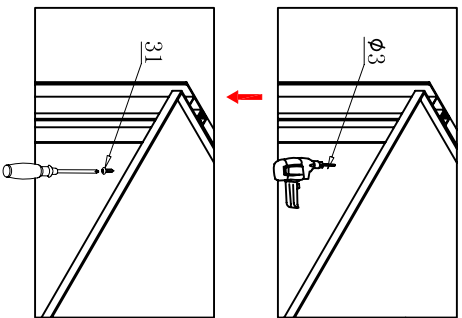
17:



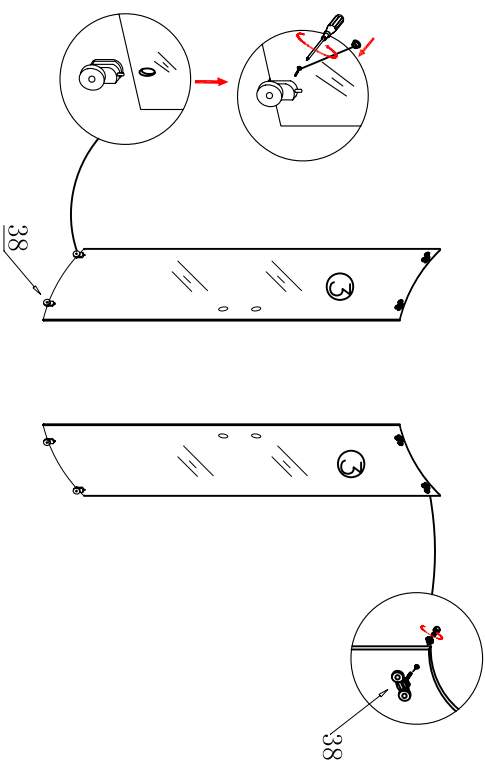
11:



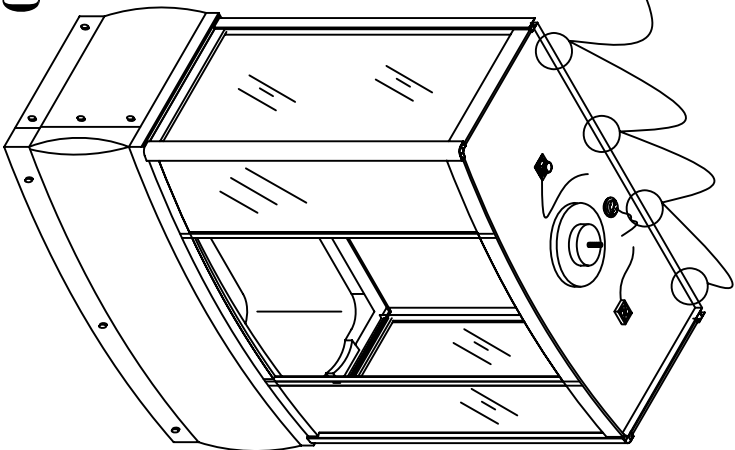
16:



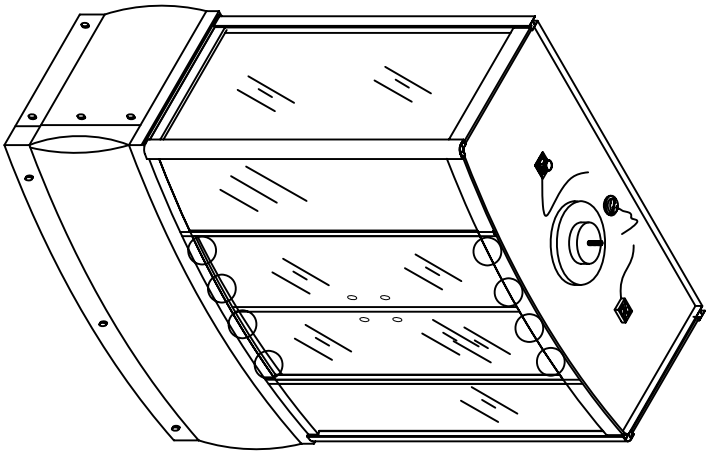
18:



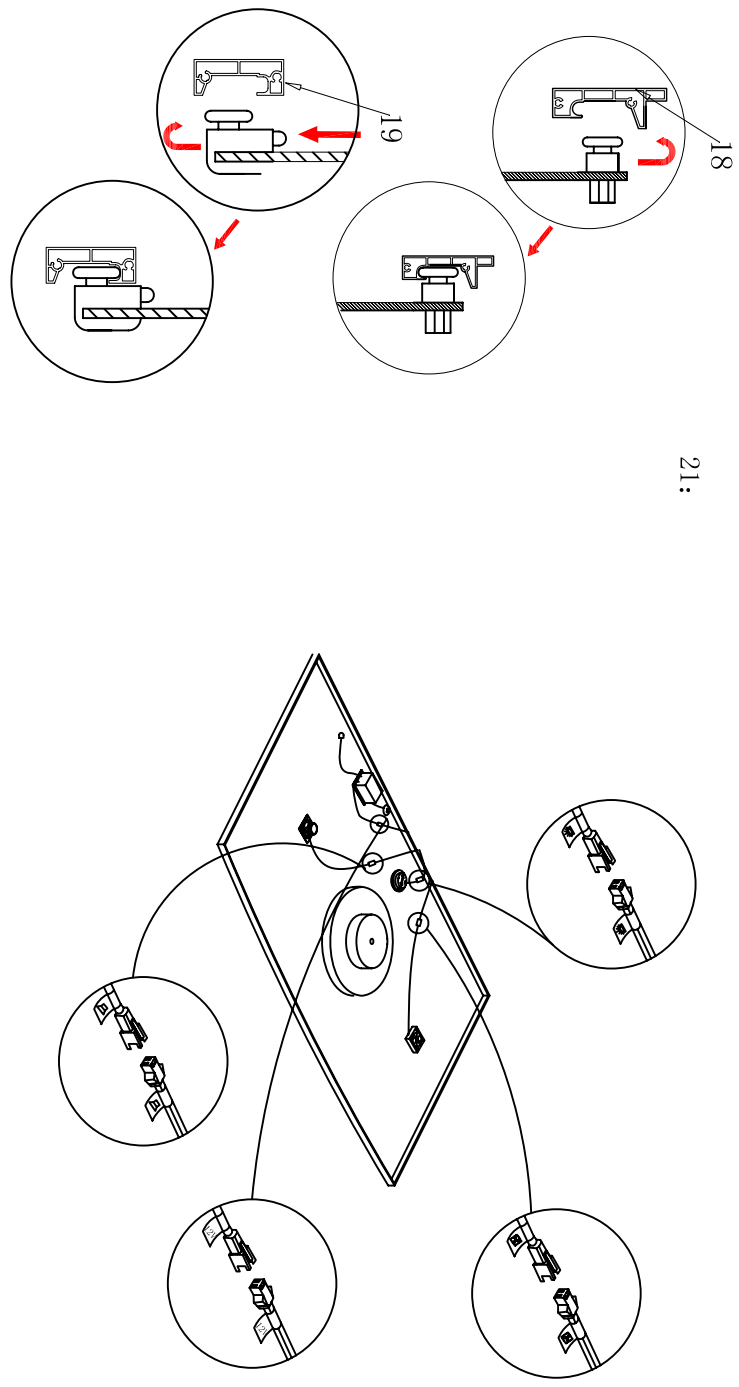
10:



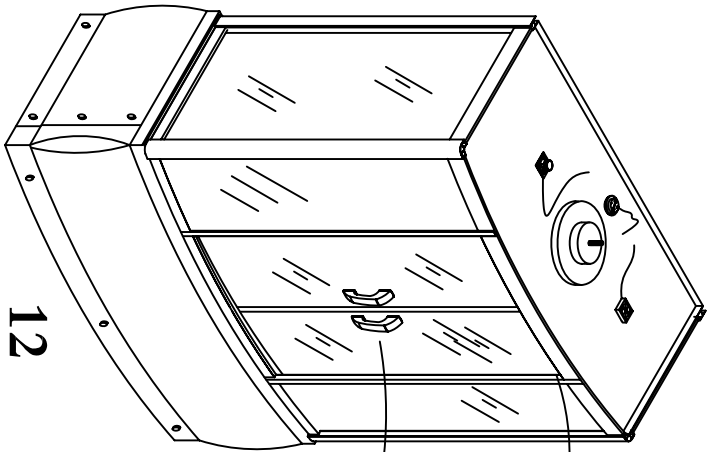
19:



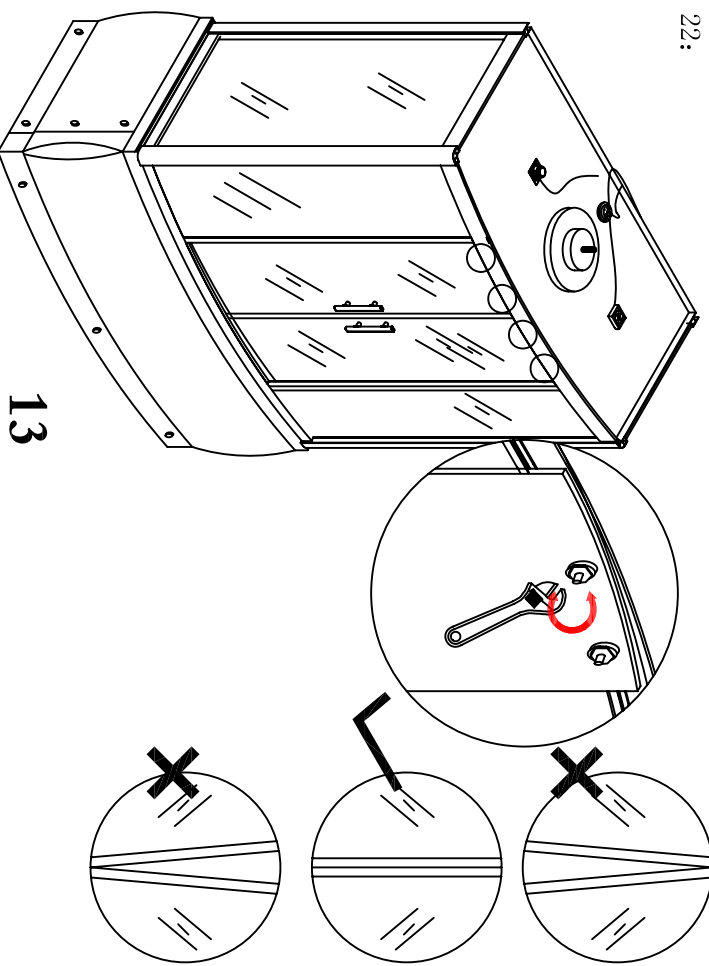
21:



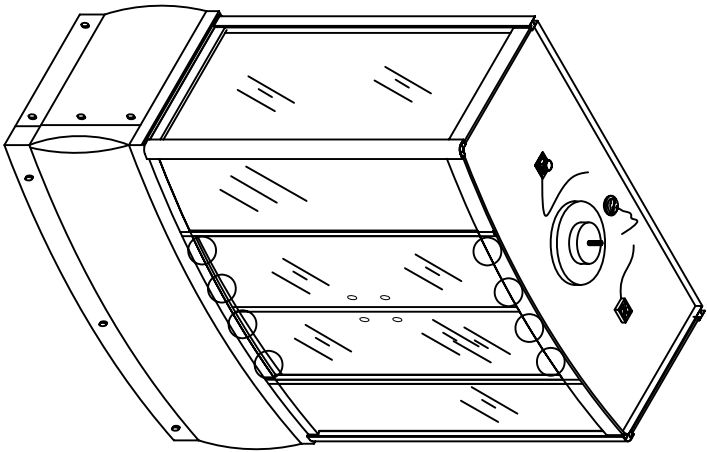
20:



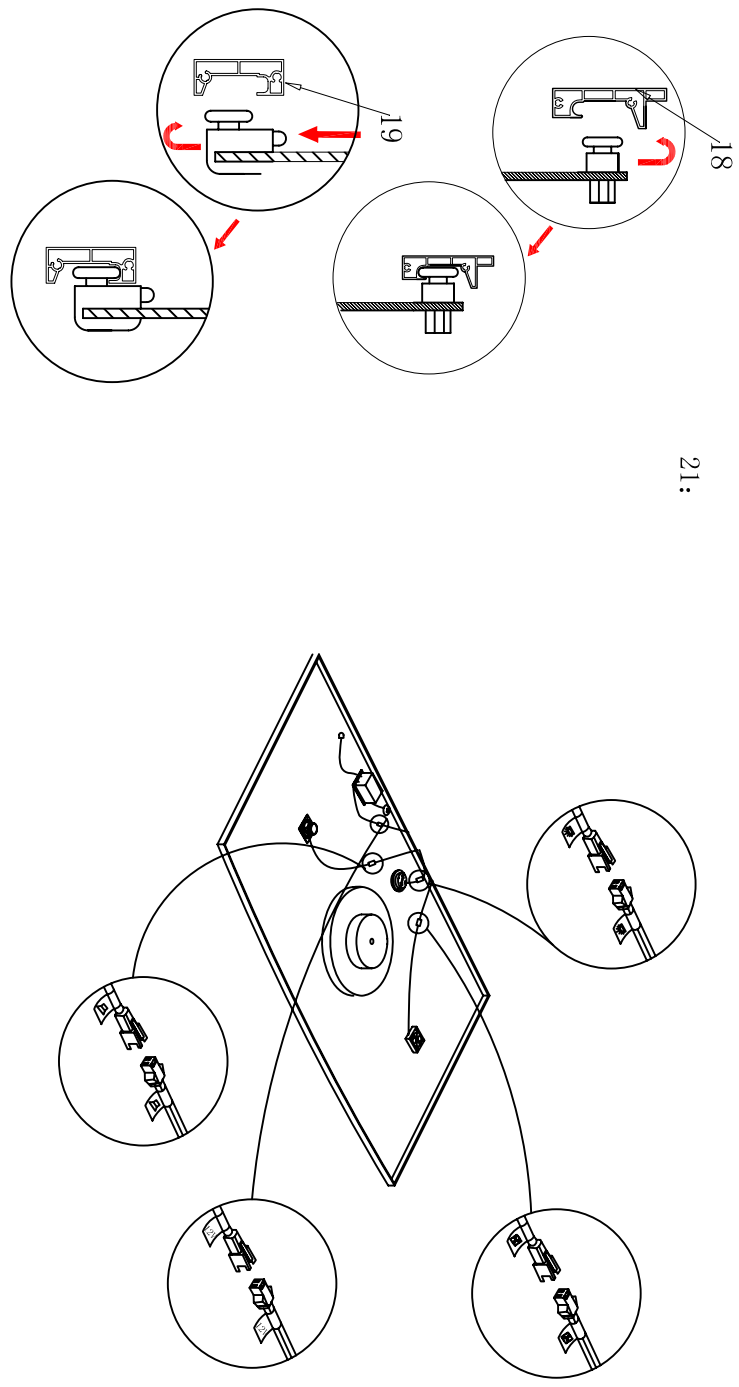
22:



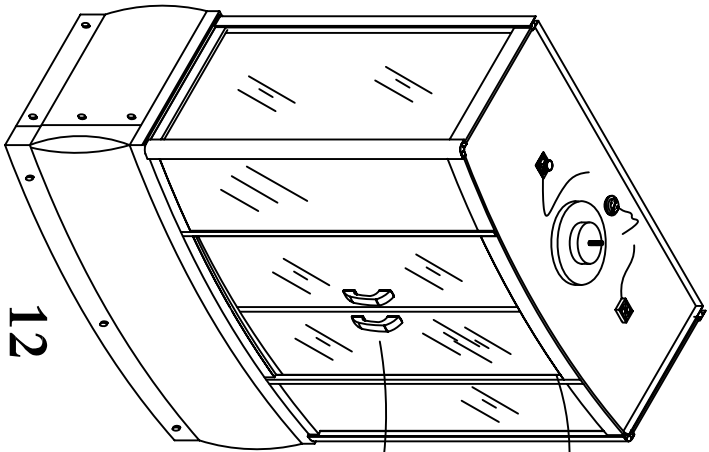
19:



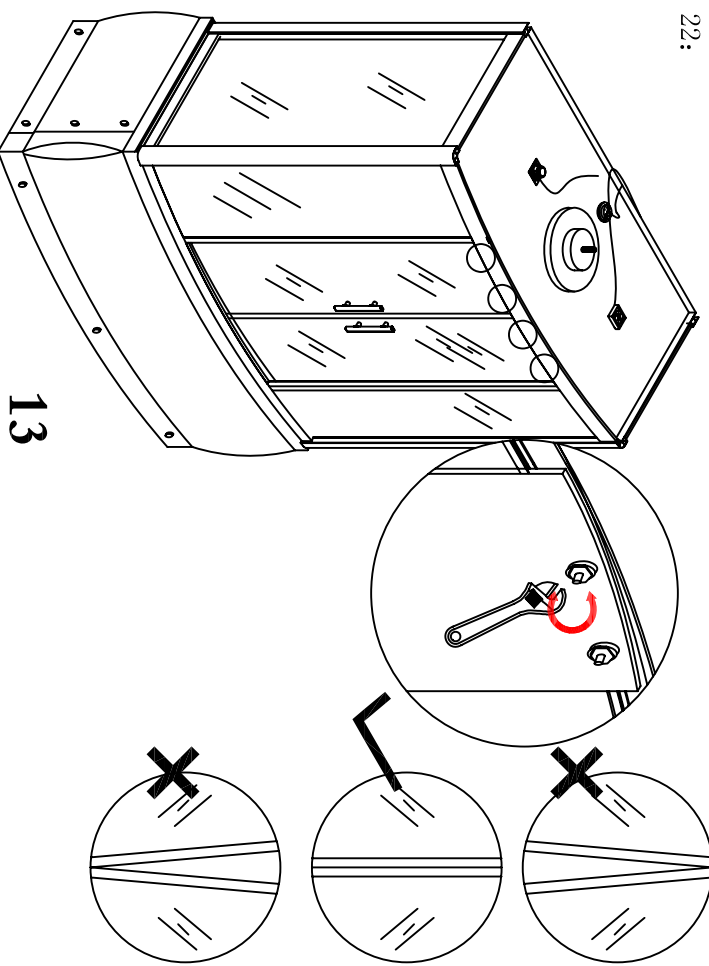
21:



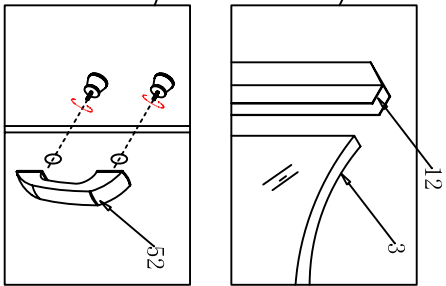
20:



22:



12



13

