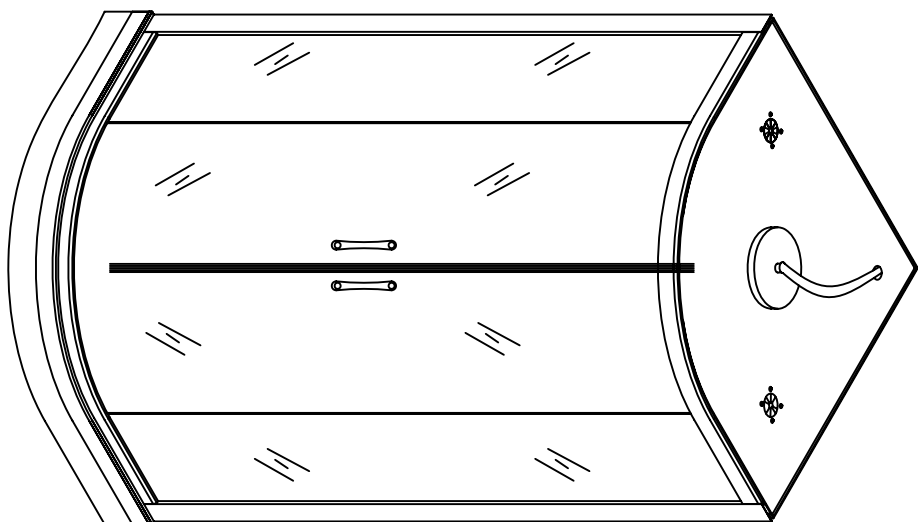
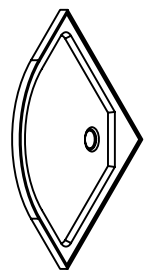


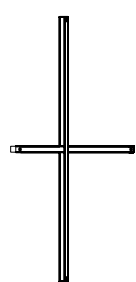
SV220/230



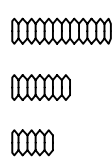
- A
- B
- C
- D
- E
- F
- G



[1]×1



[2]×1



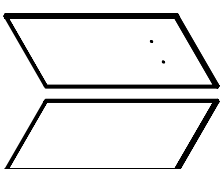
[3]×5



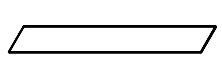
[4]×1



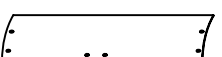
[5]×2



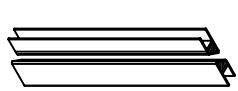
[6]×2



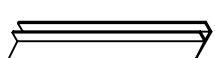
[7]×2



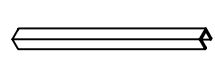
[8]×2



[9]×2 (1530mm)



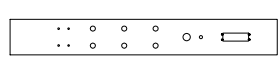
[10]×4



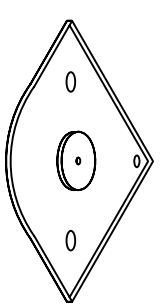
[11]×2



[12]×2 (1500mm)



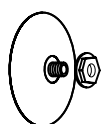
[13]×1



[14]×1



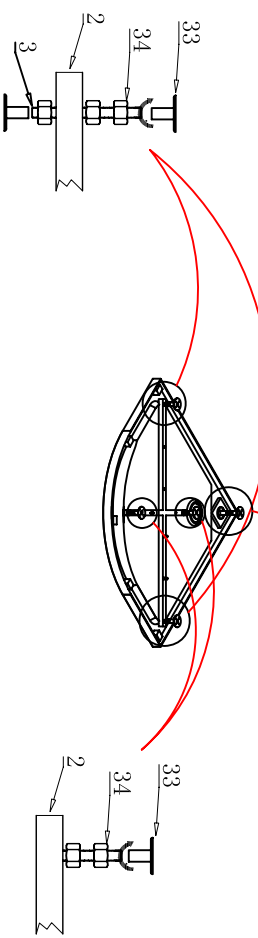
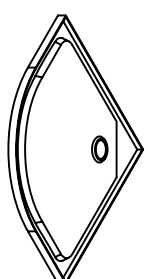
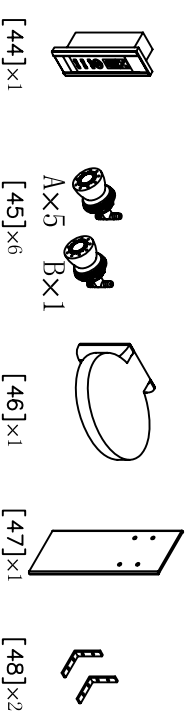
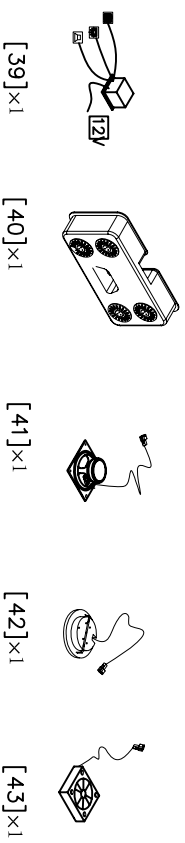
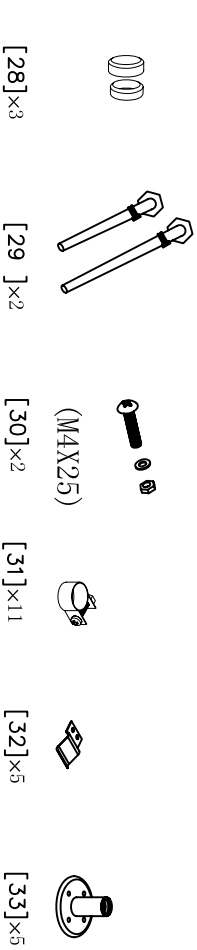
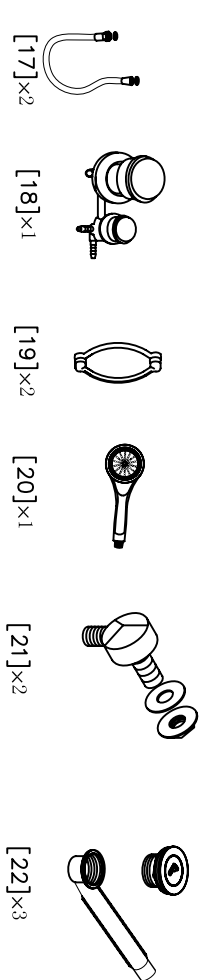
[15]×1



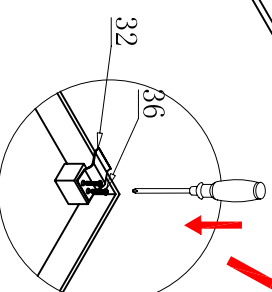
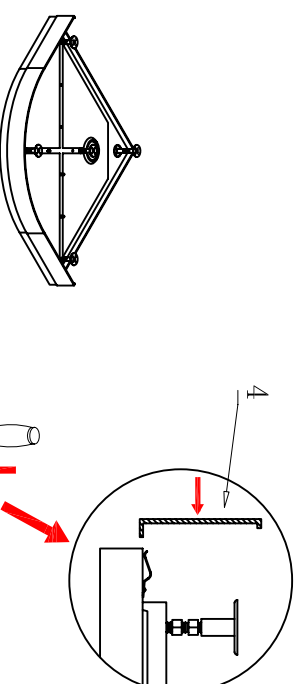
[16]×1

I

step1:



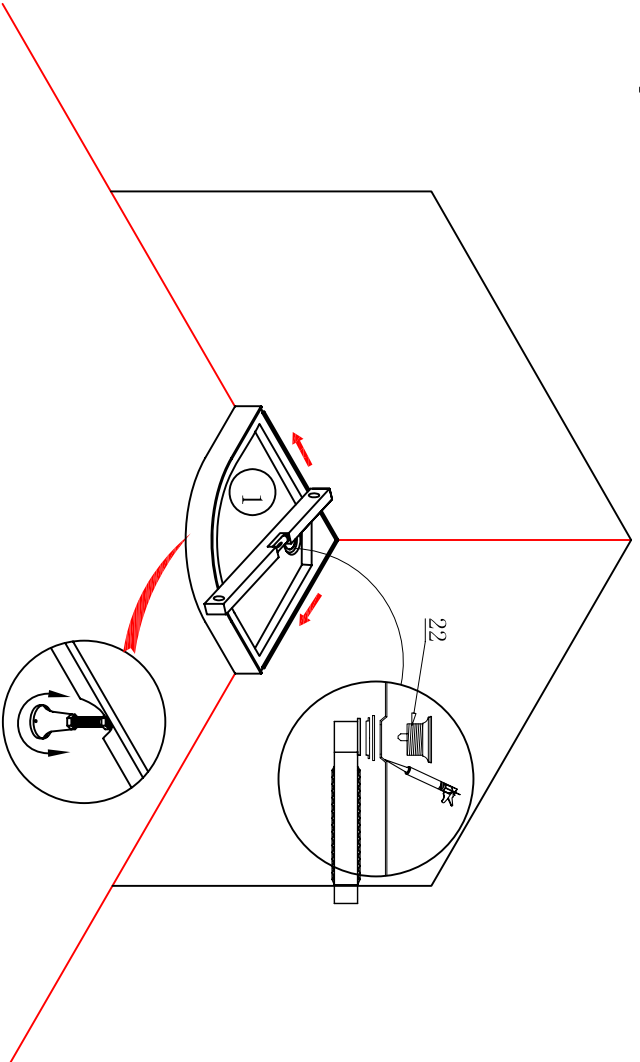
step2:



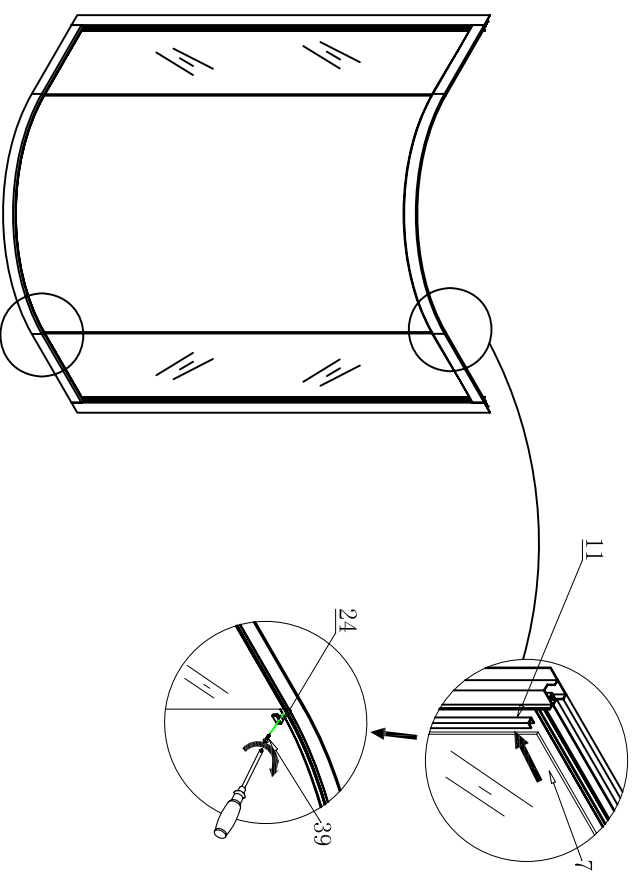
2

3

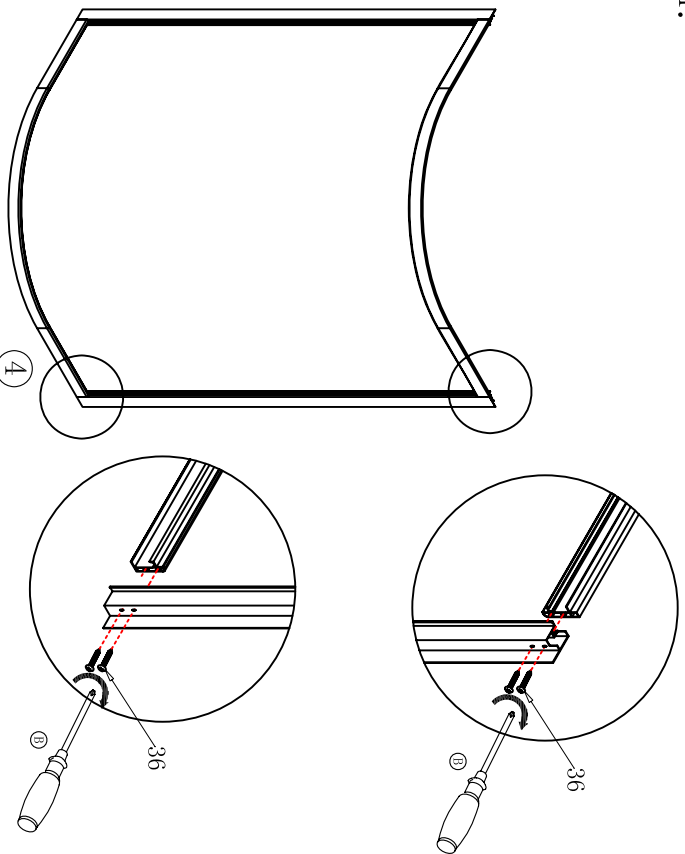
step3:



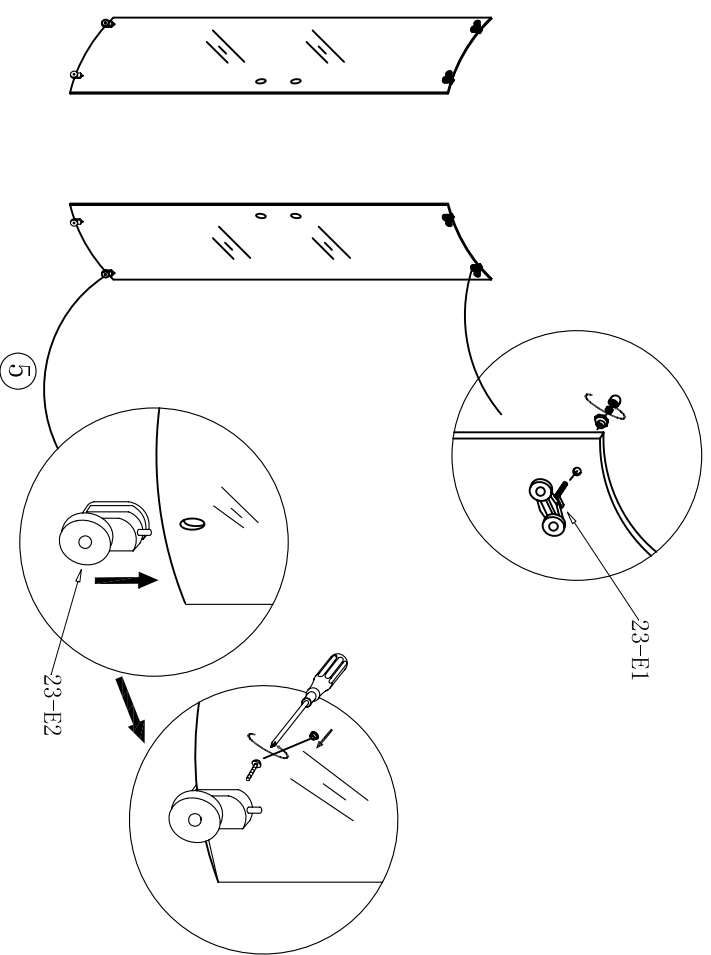
step5:



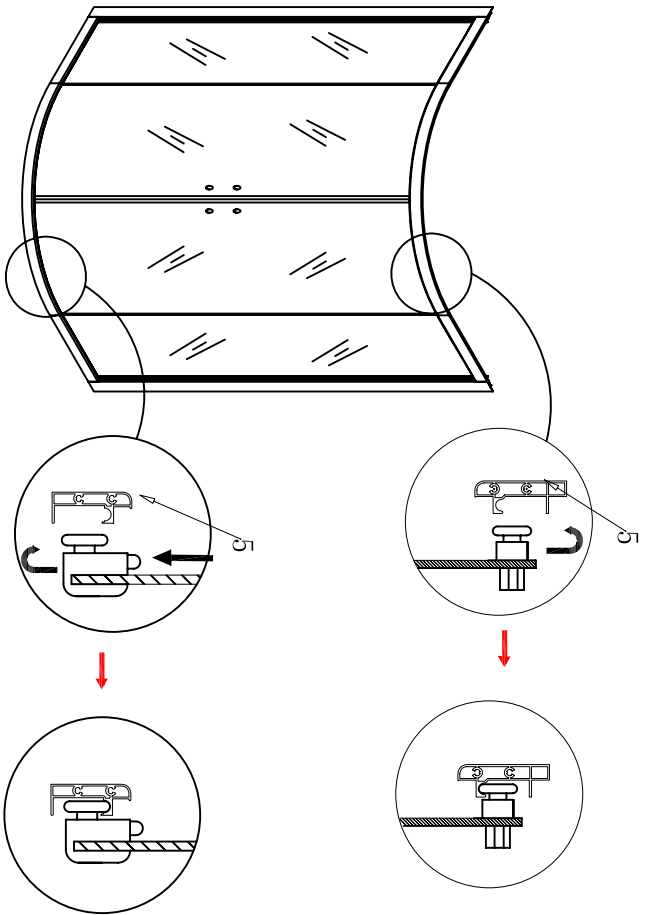
step4:



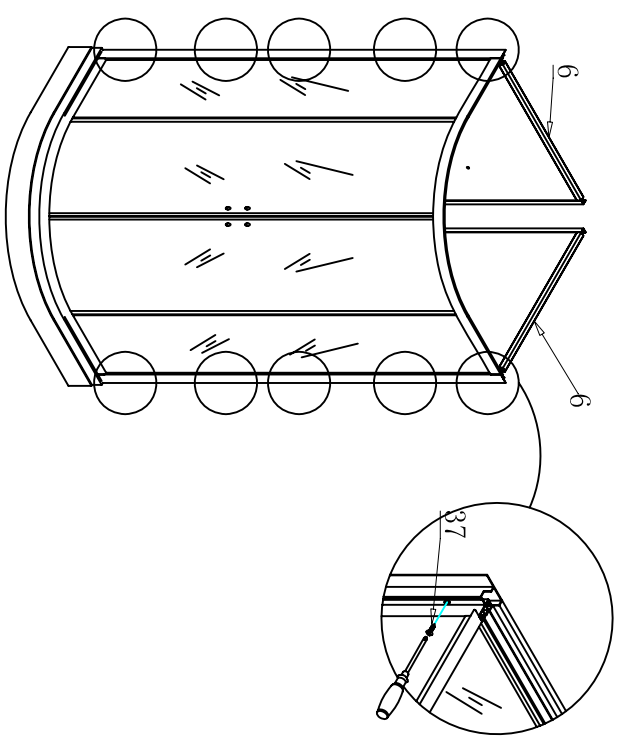
step6:



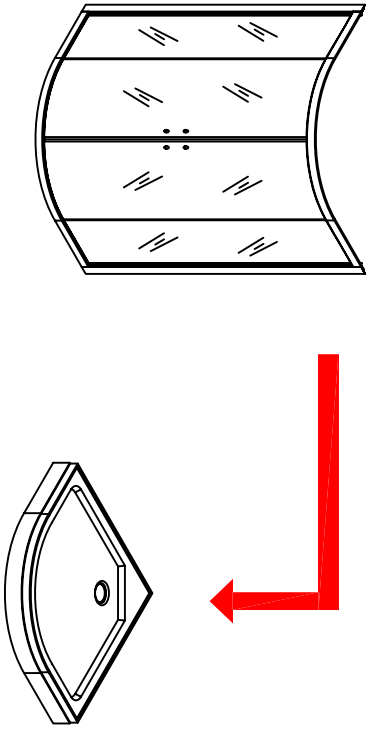
step7:



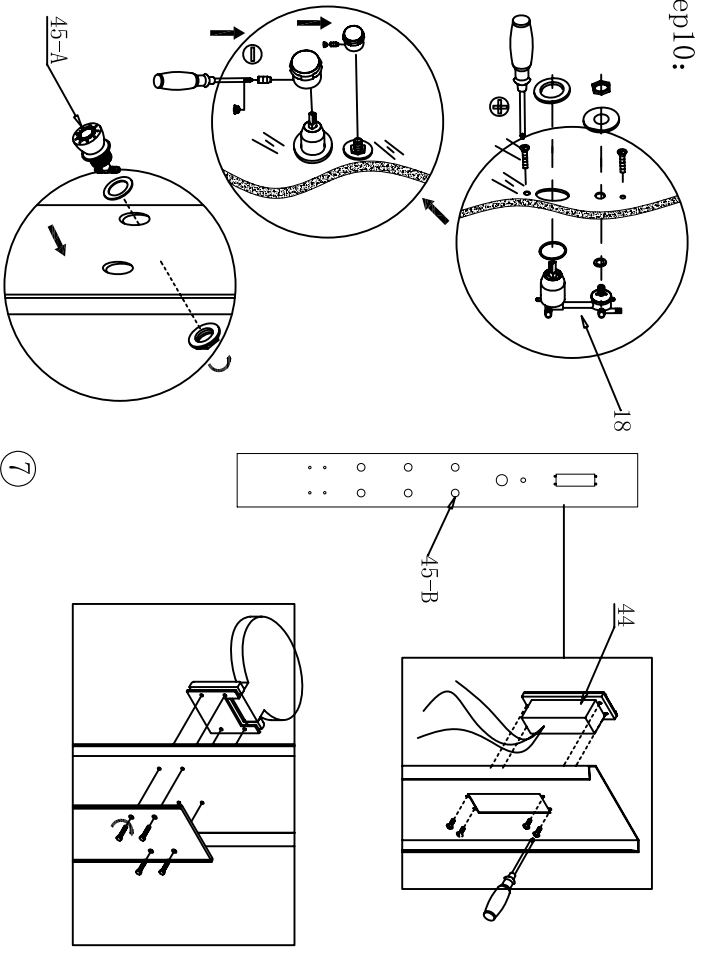
step9:



step8:



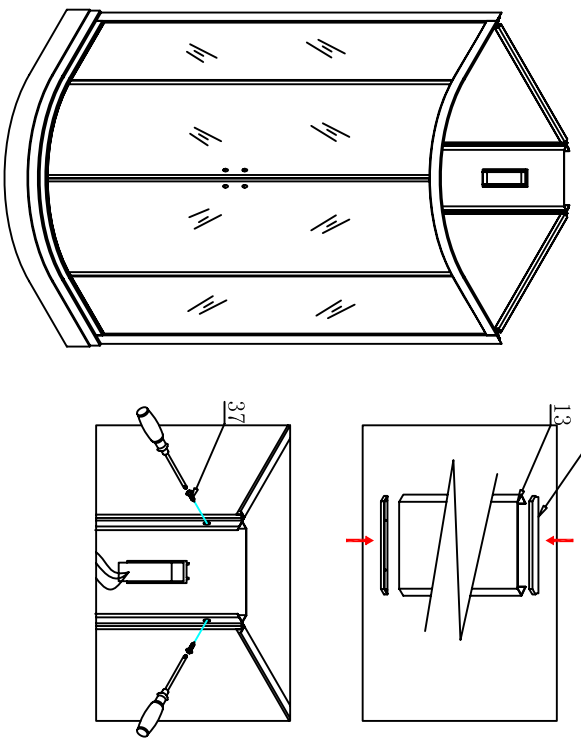
step10:



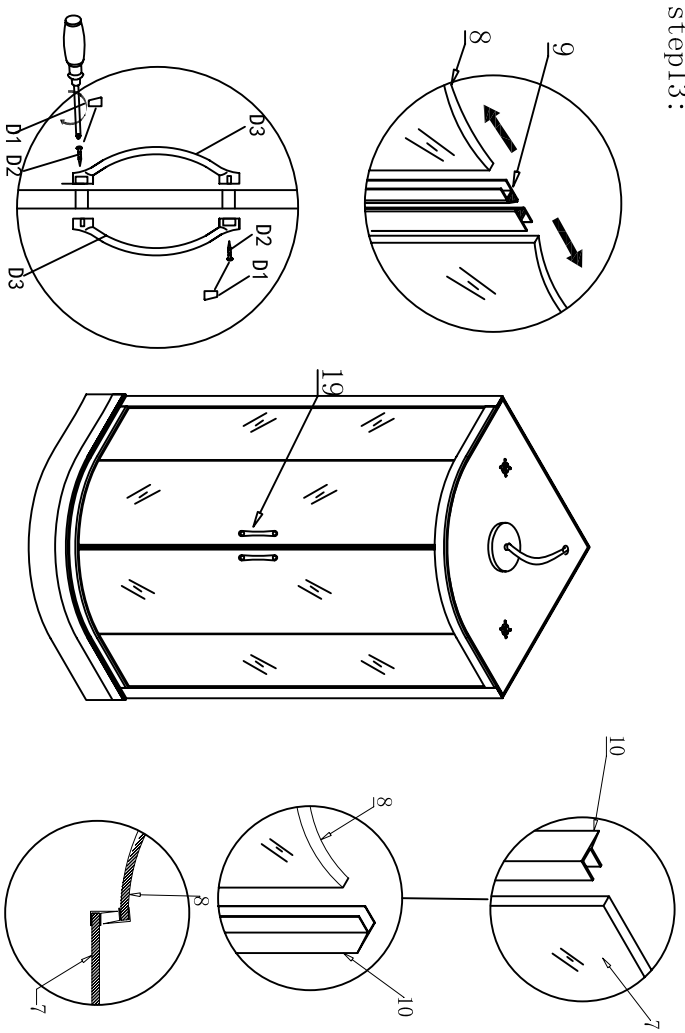
6

7

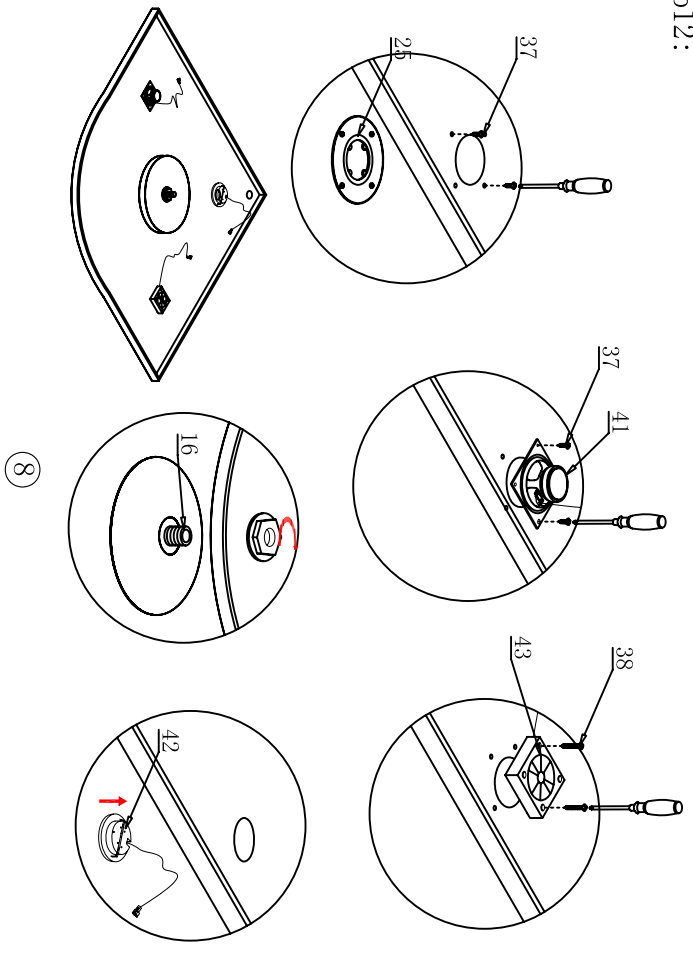
step11:



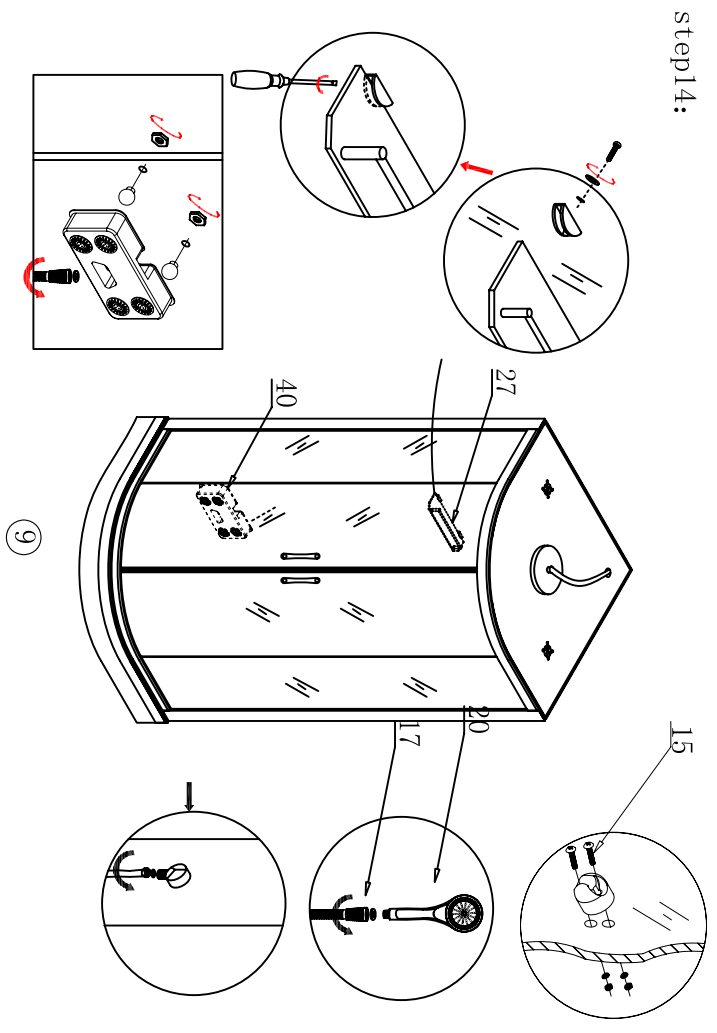
step13:



step12:



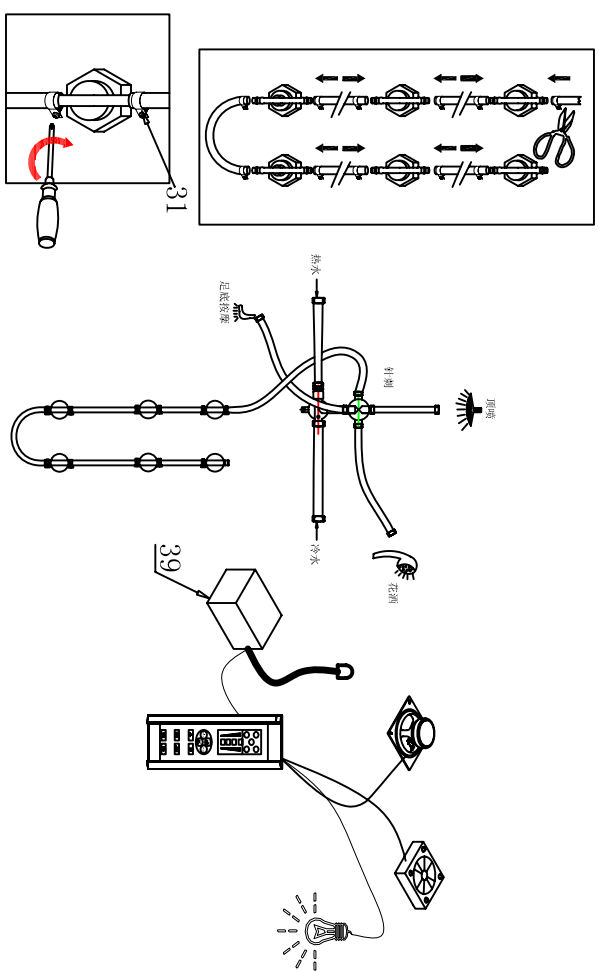
step14:



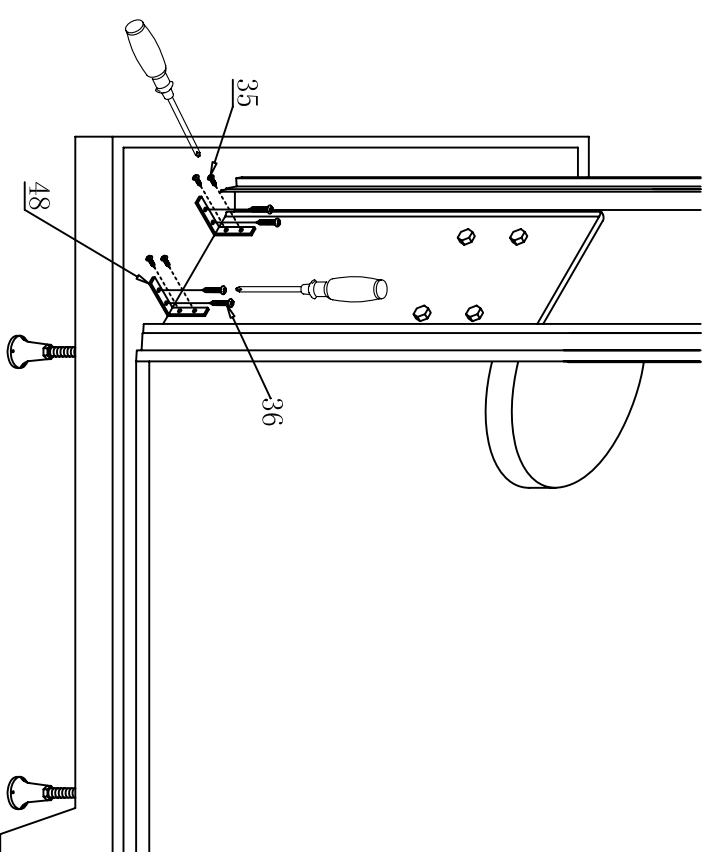
⑧

⑨

step15:



step17:



step16:

