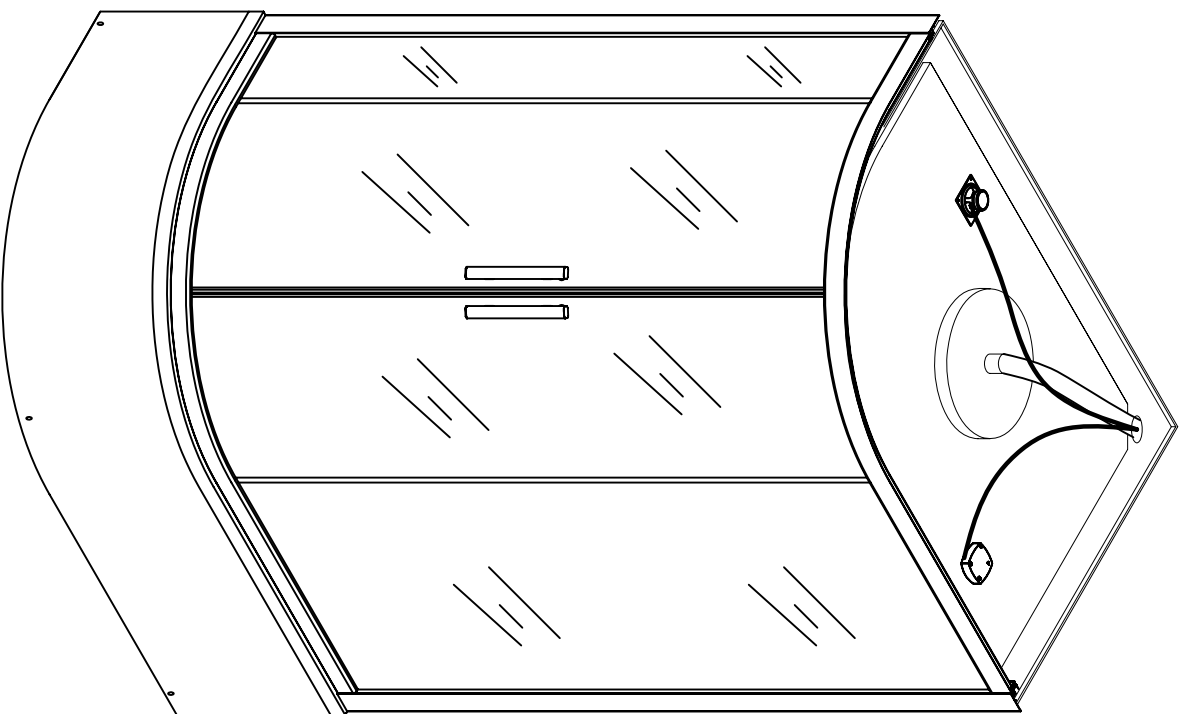
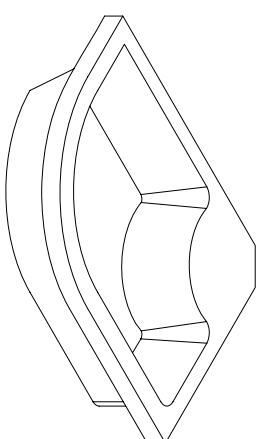


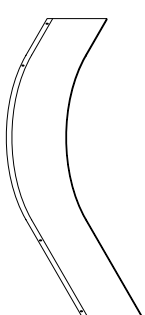
7410/7411



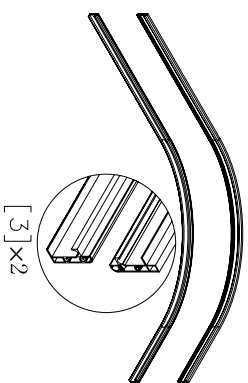
- A
- B
- C
- D
- E
- F
- G



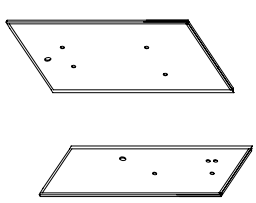
[1]x1



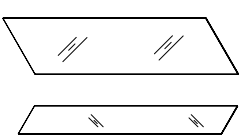
[2]x1



[3]x2



[5]x2



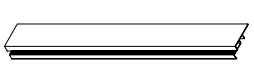
[6]x2



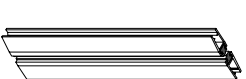
[7]x1



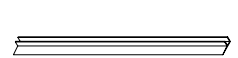
[8]x1



[9]x1



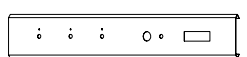
[10]x2



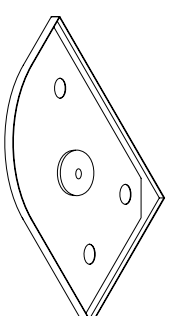
[11]x1



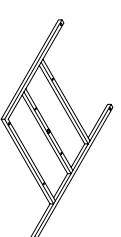
[12]x4



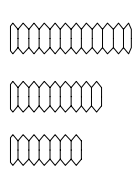
[13]x1



[14]x1



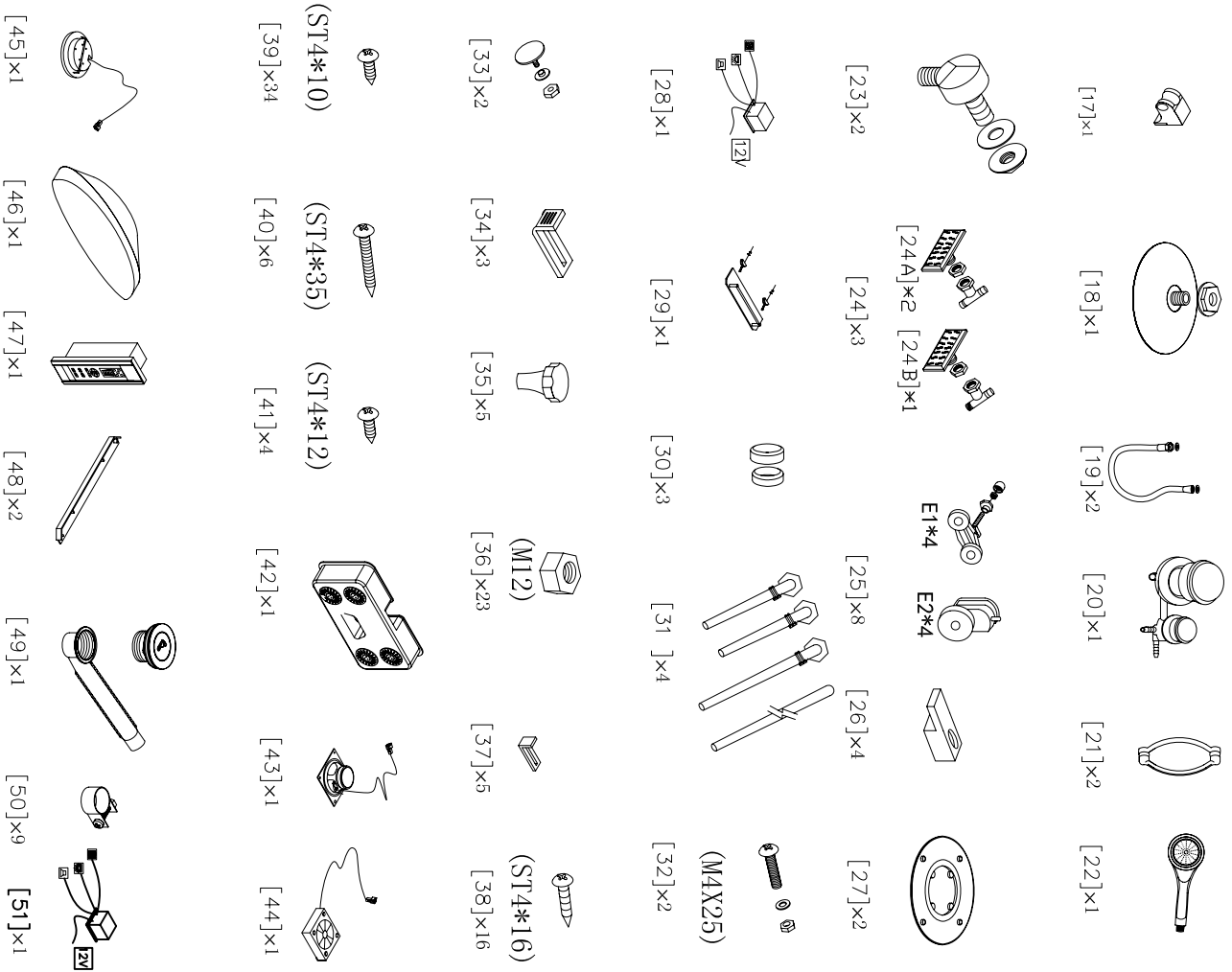
[15]x1



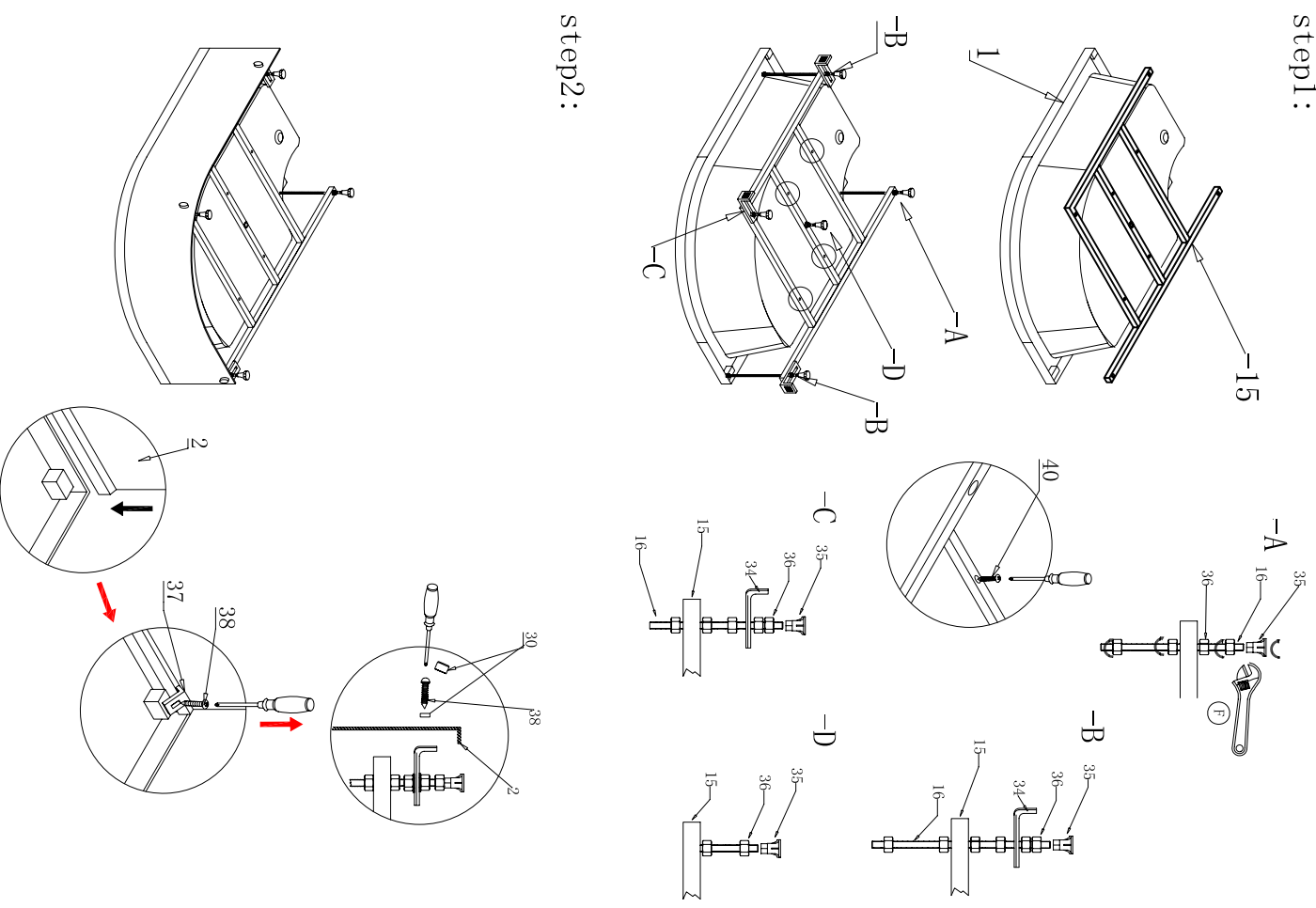
[16]x5

1

step1:



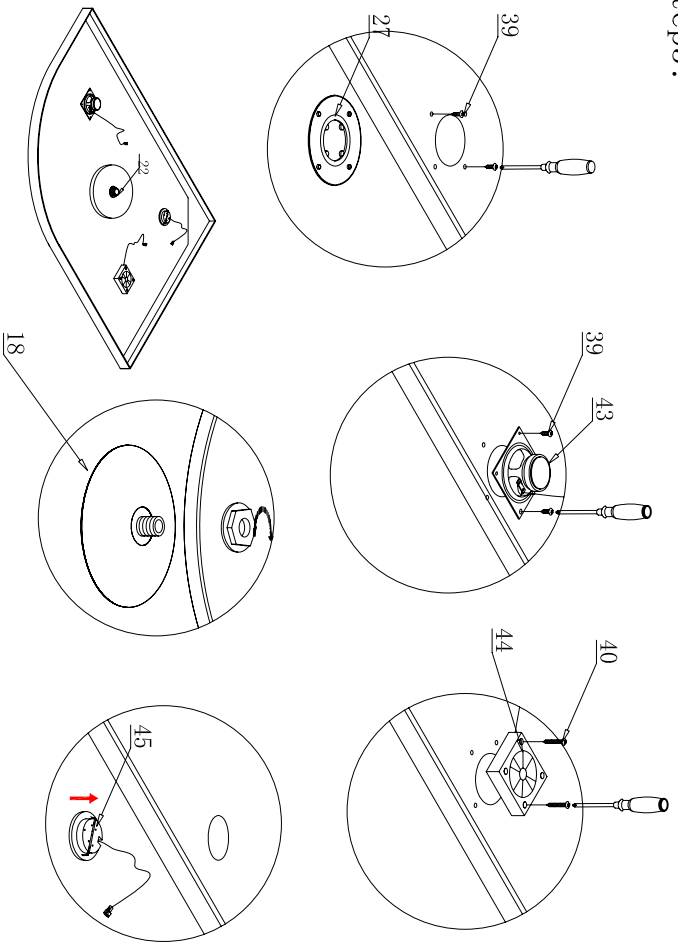
step2:



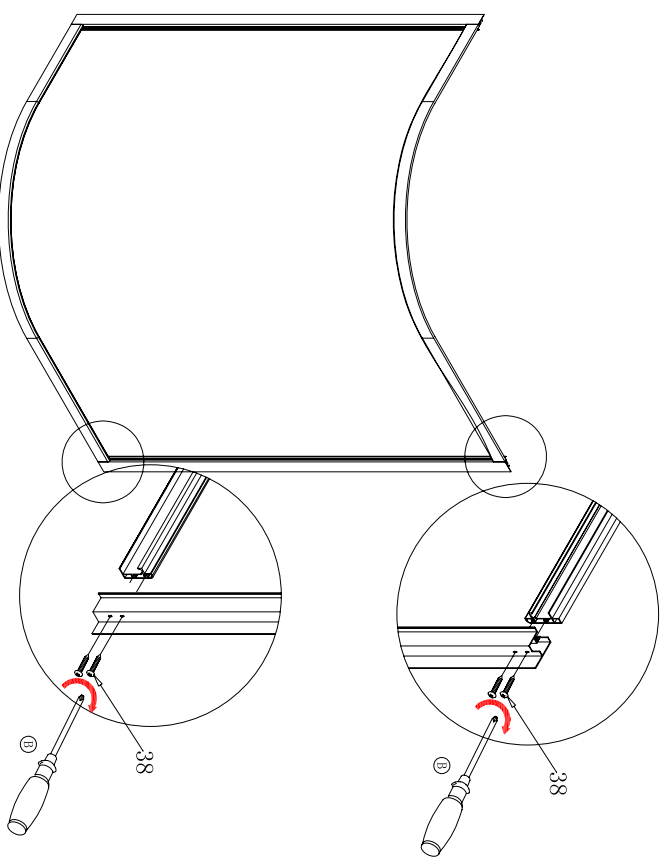
2

3

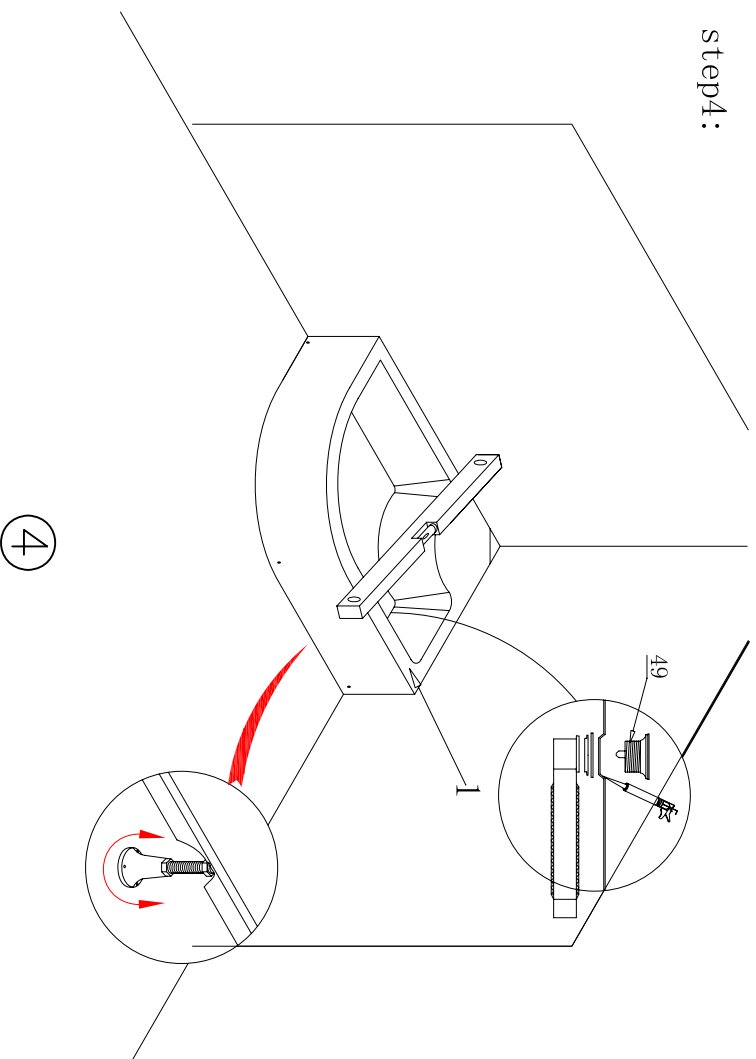
step3:



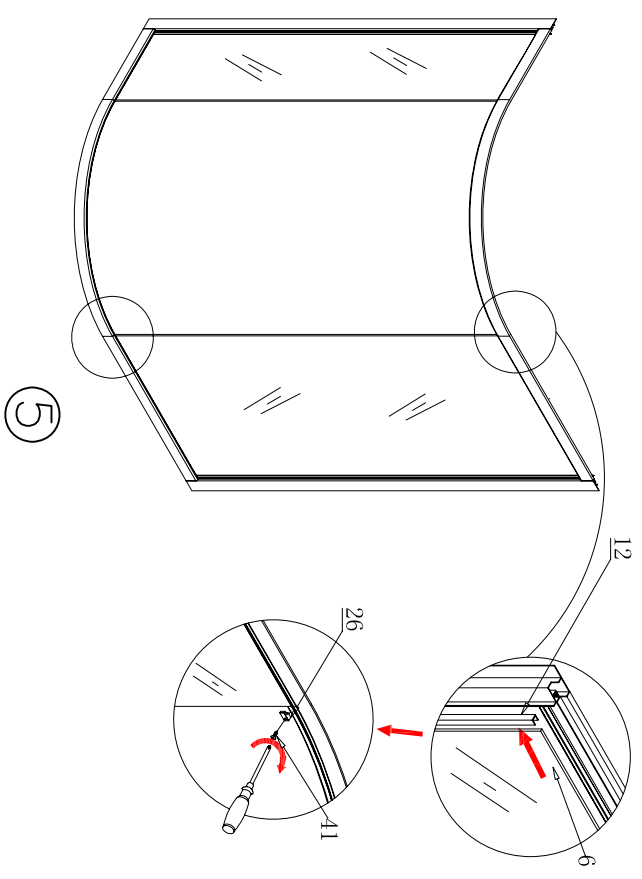
step5:



step4:



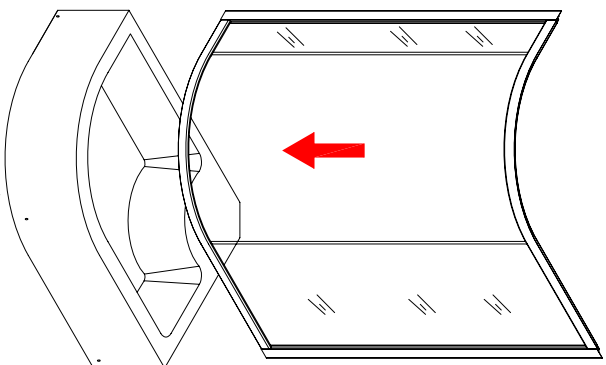
step6:



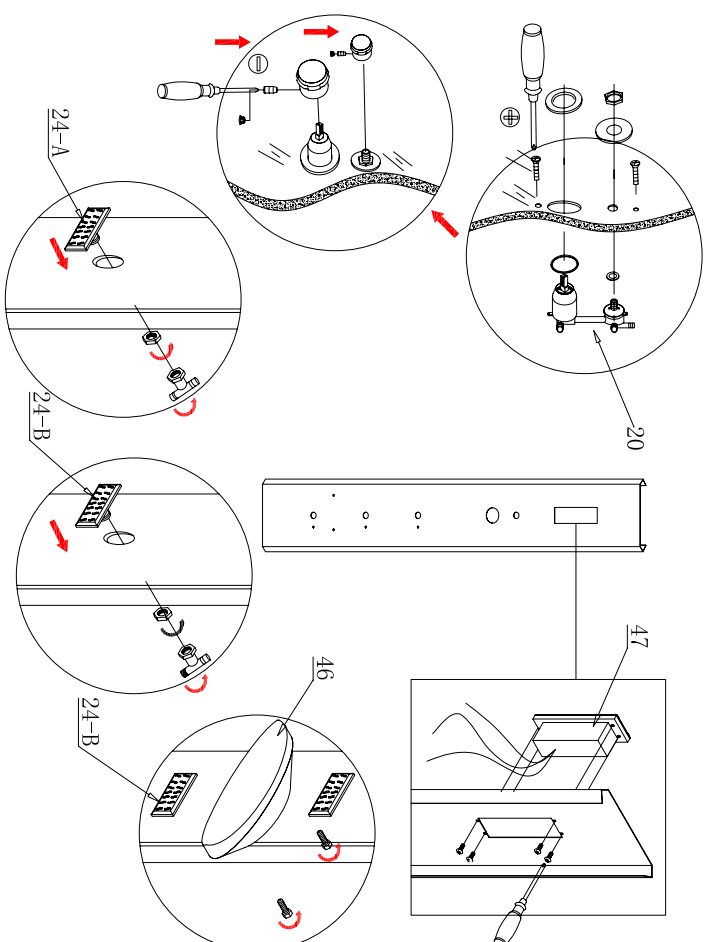
4

5

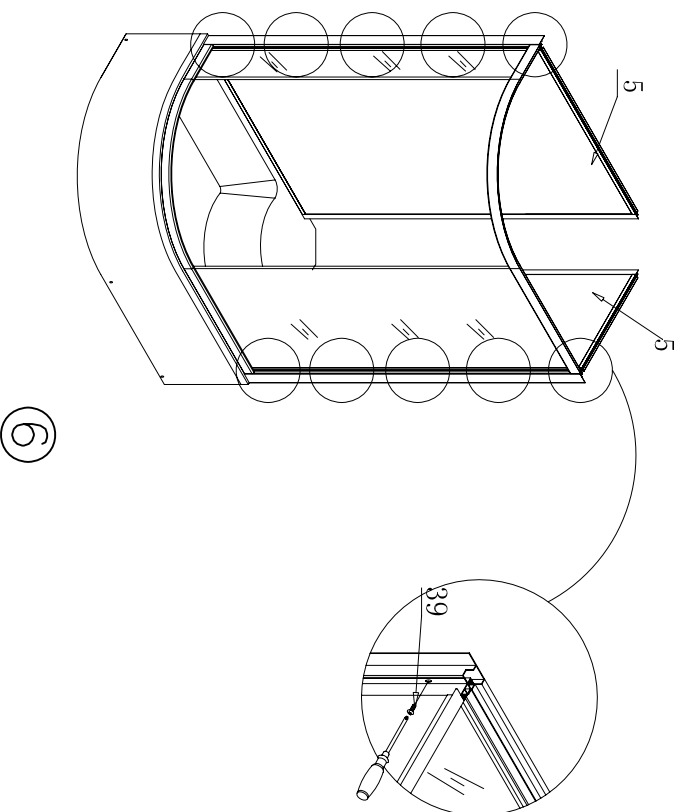
step7:



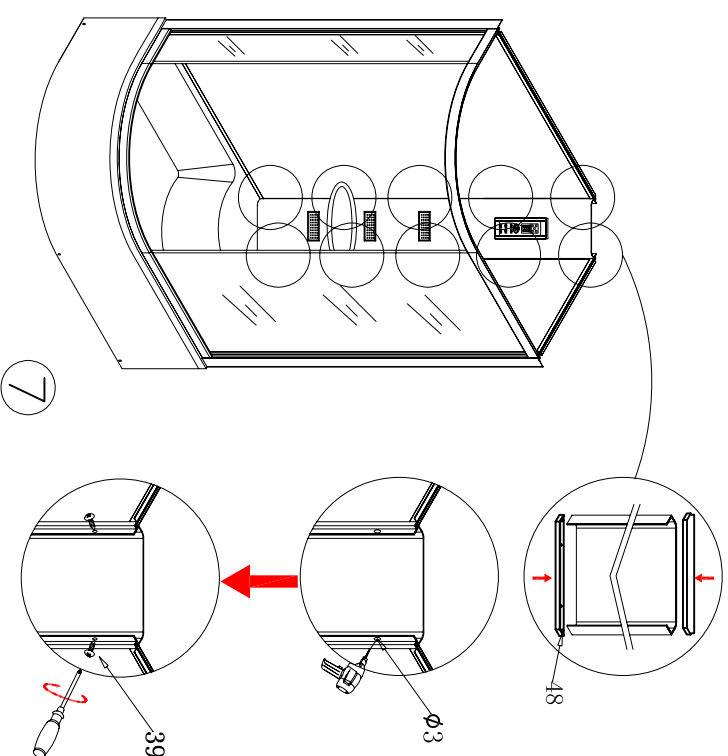
step9:



step8:



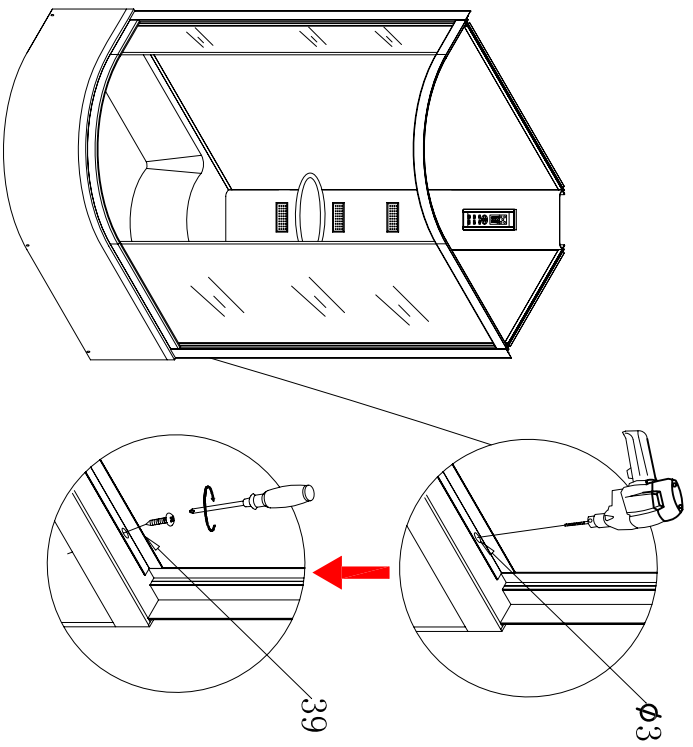
step10:



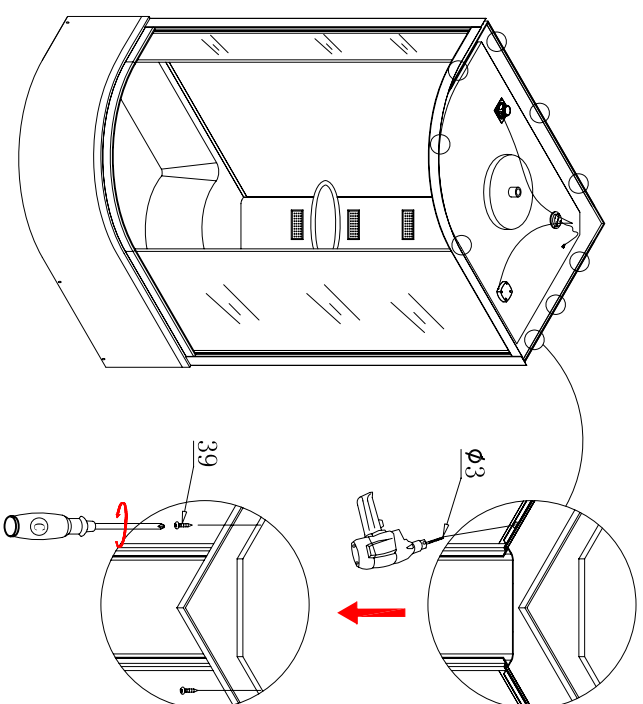
6

7

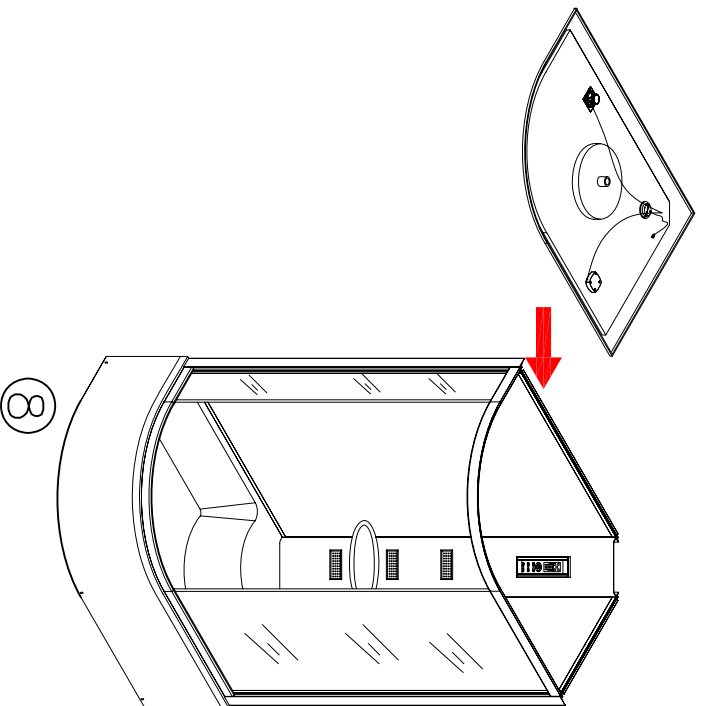
step11:



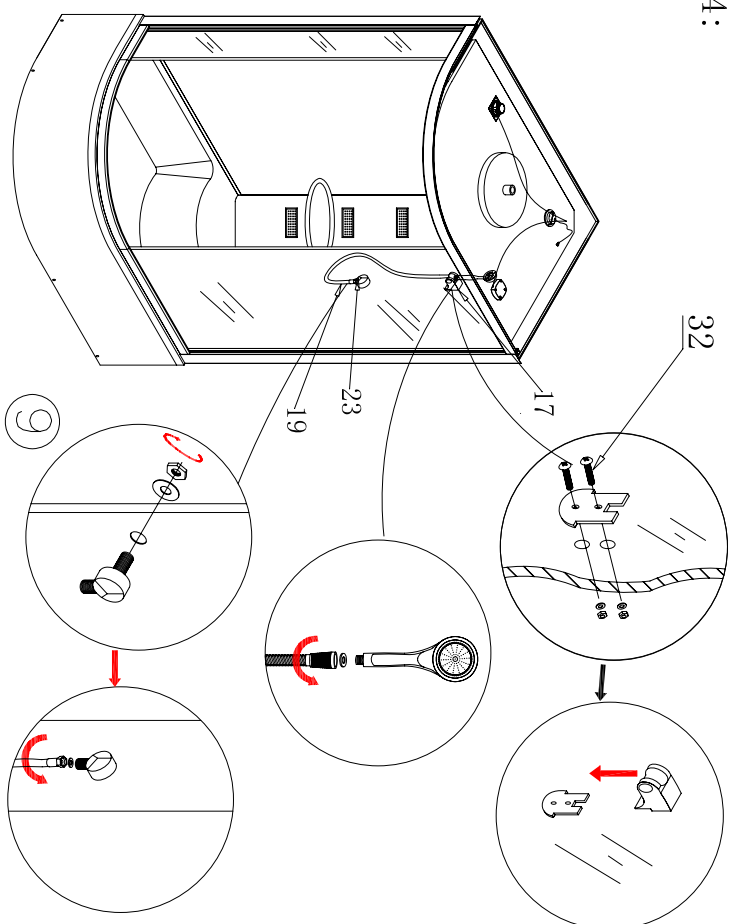
step13:



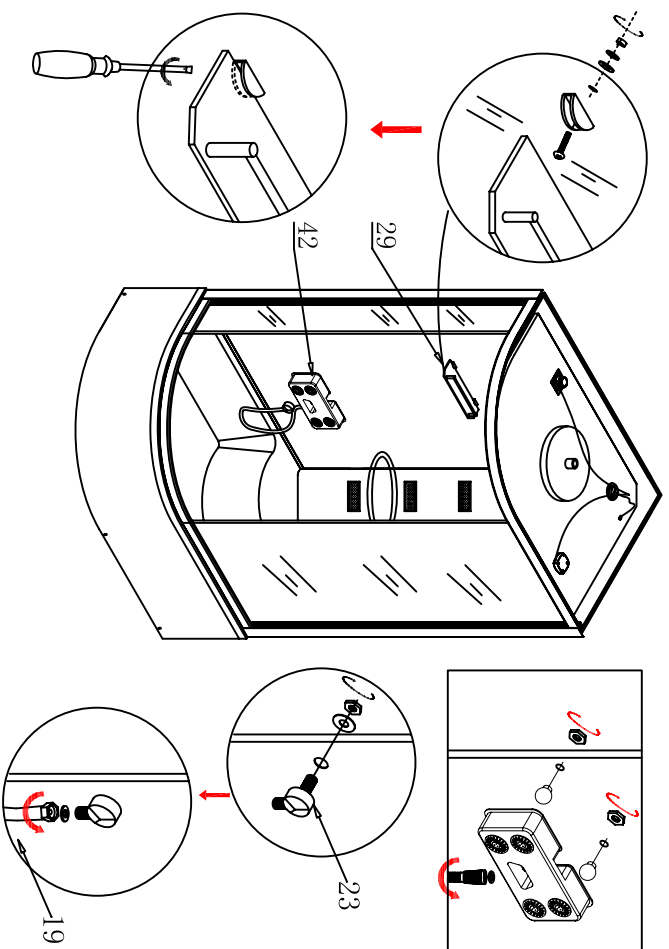
step12:



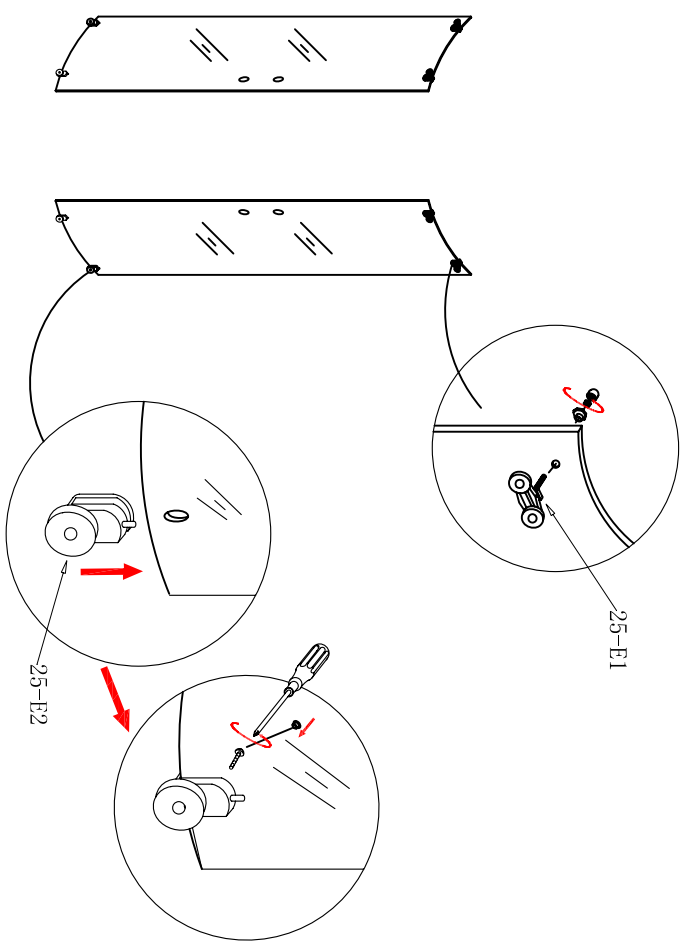
step14:



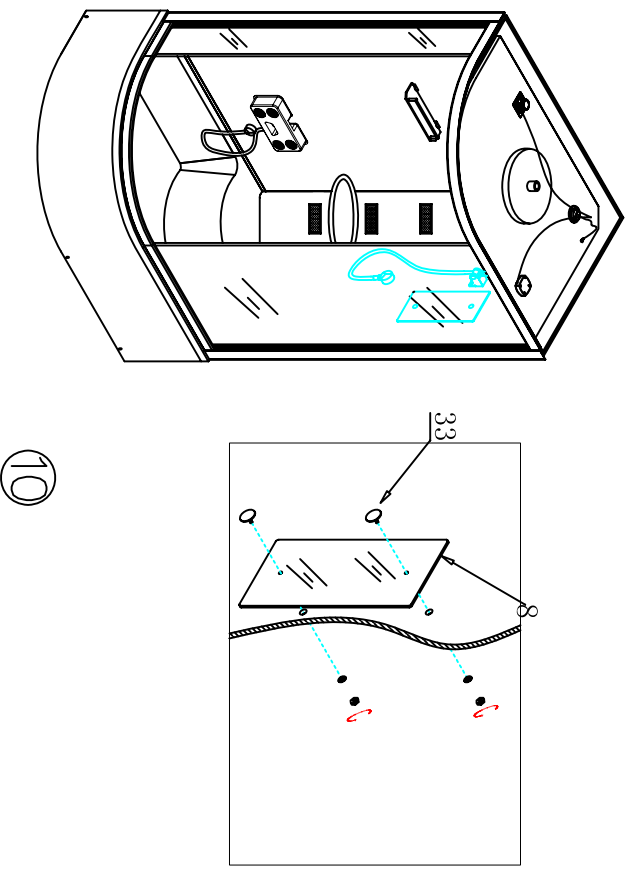
step15:



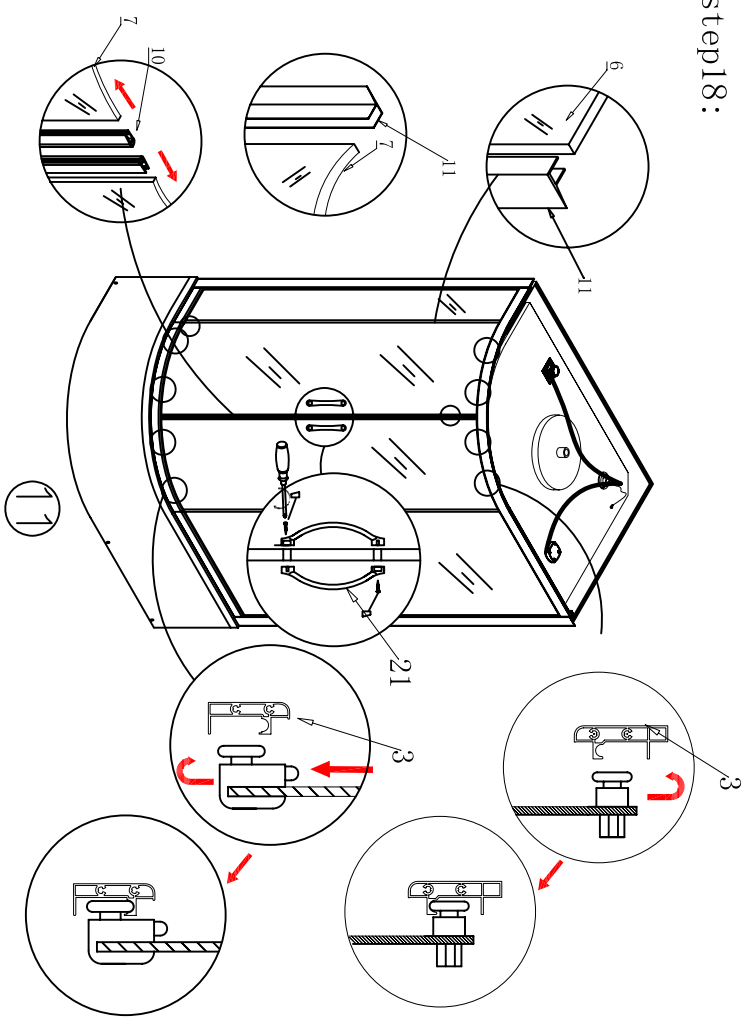
step17:



step16:



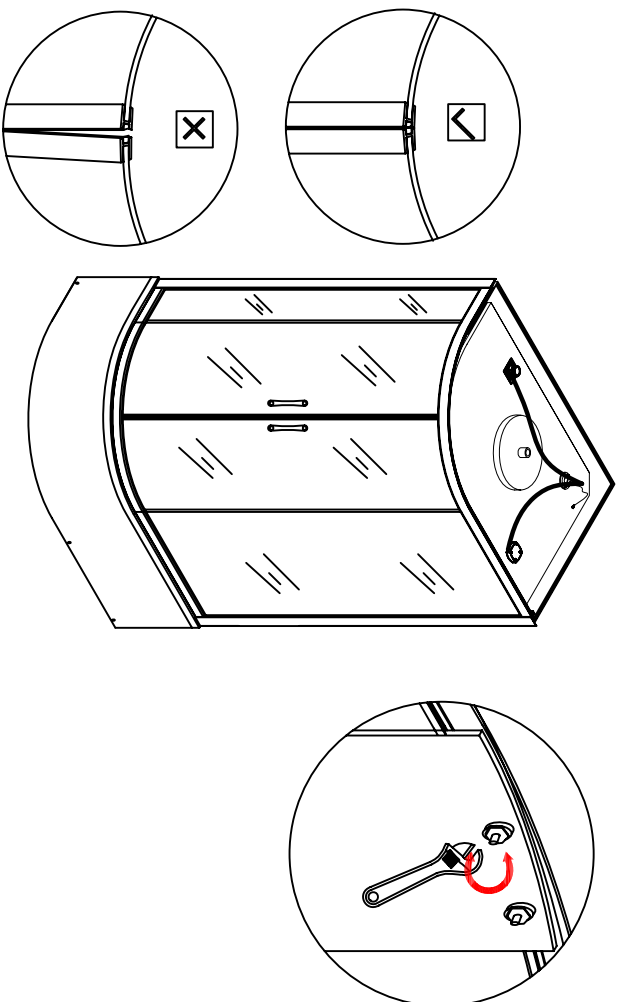
step18:



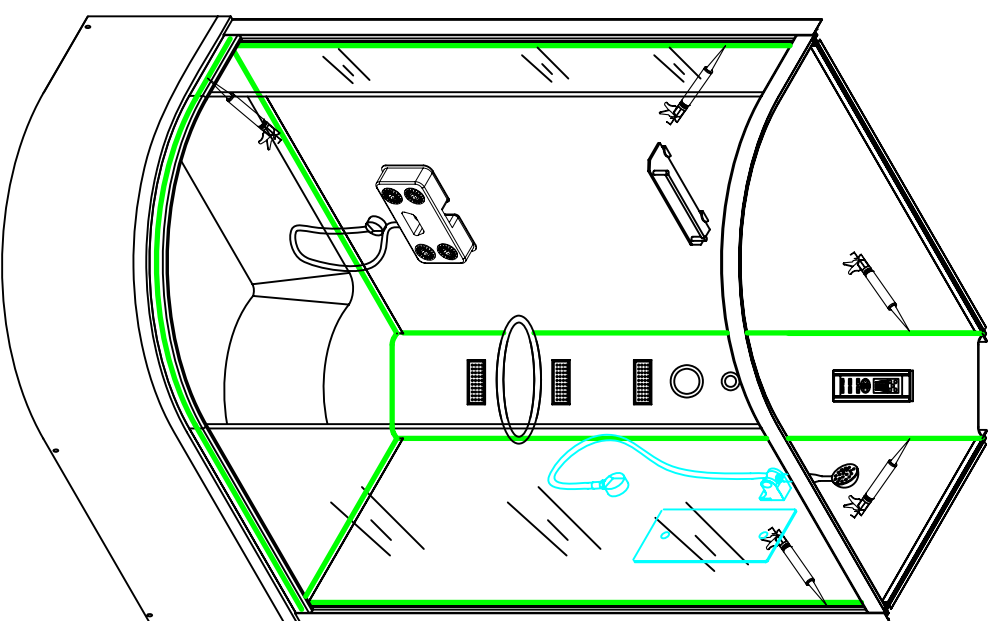
10

11

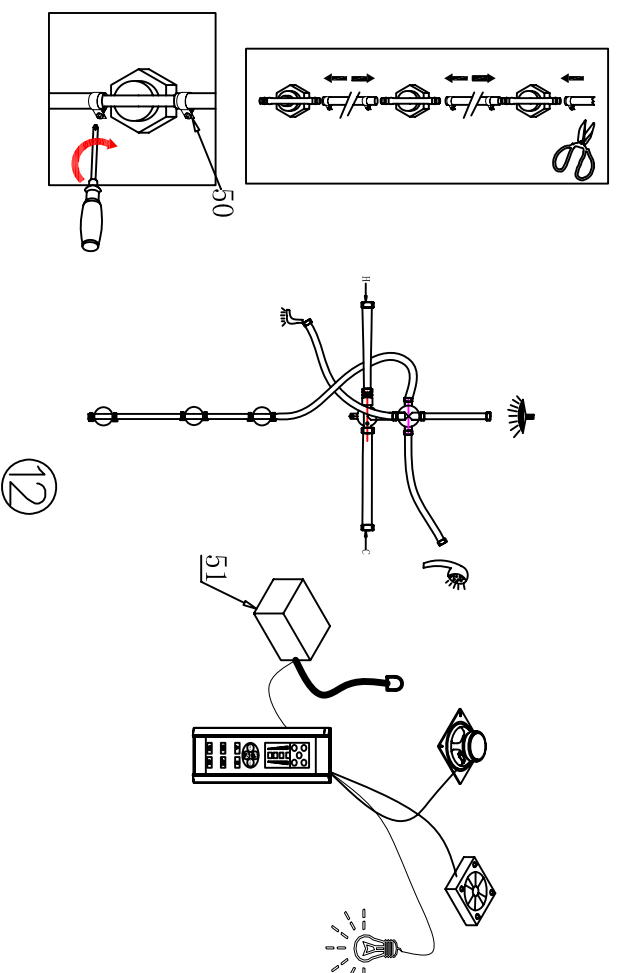
step19:



step21:



step20:



12

13