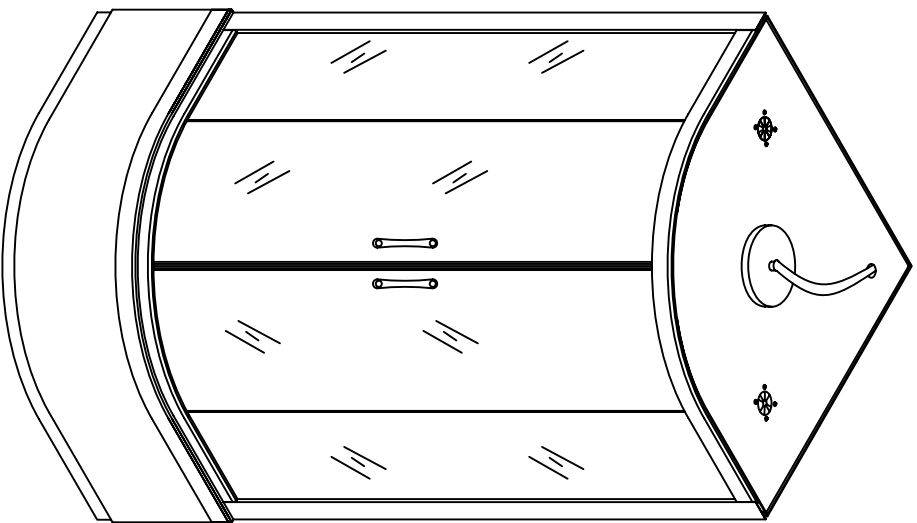
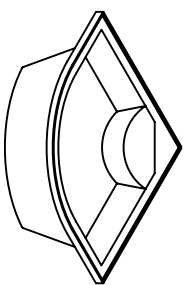


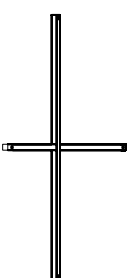
SV217



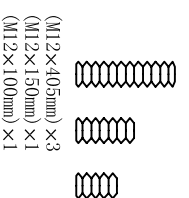
- A 
- B 
- C 
- D 
- E 
- F 
- G 



[1]×1

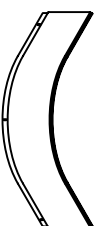


[2]×1



(M12×405mm) ×3
(M12×150mm) ×1
(M12×100mm) ×1

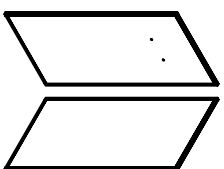
[3]



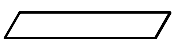
[4]×1



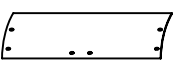
[5]×2



[6]×2



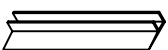
[7]×2



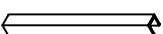
[8]×2



[9]×2 (1530mm)



[10]×4



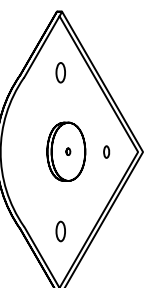
[11]×2



[12]×2 (150mm)



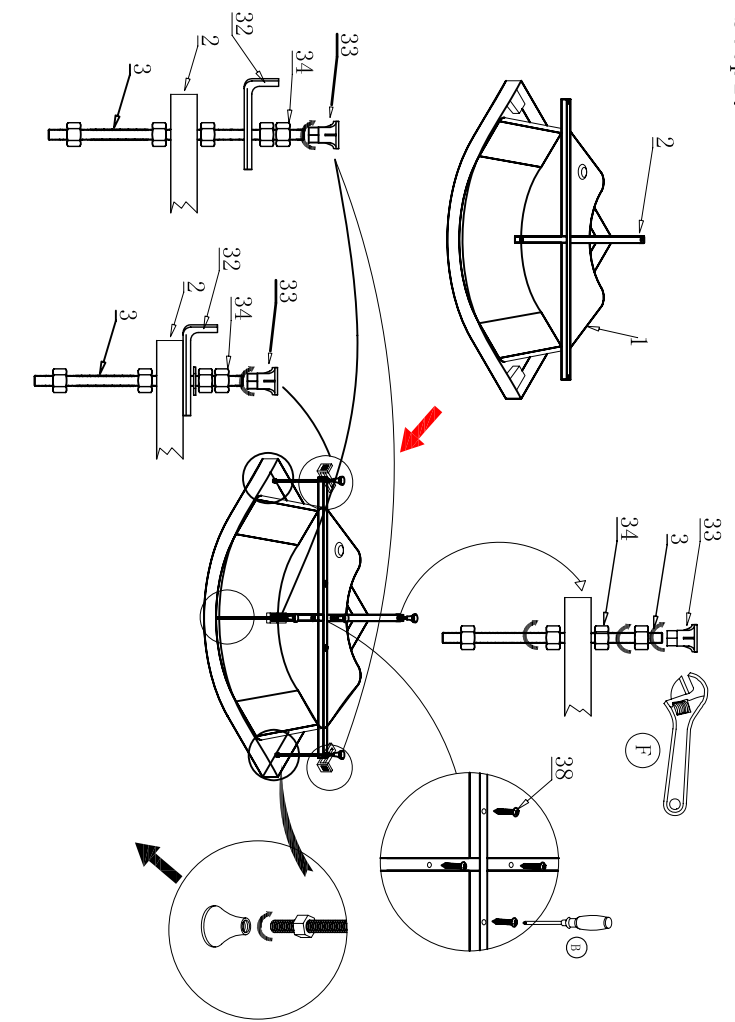
[13]×1



[14]×1

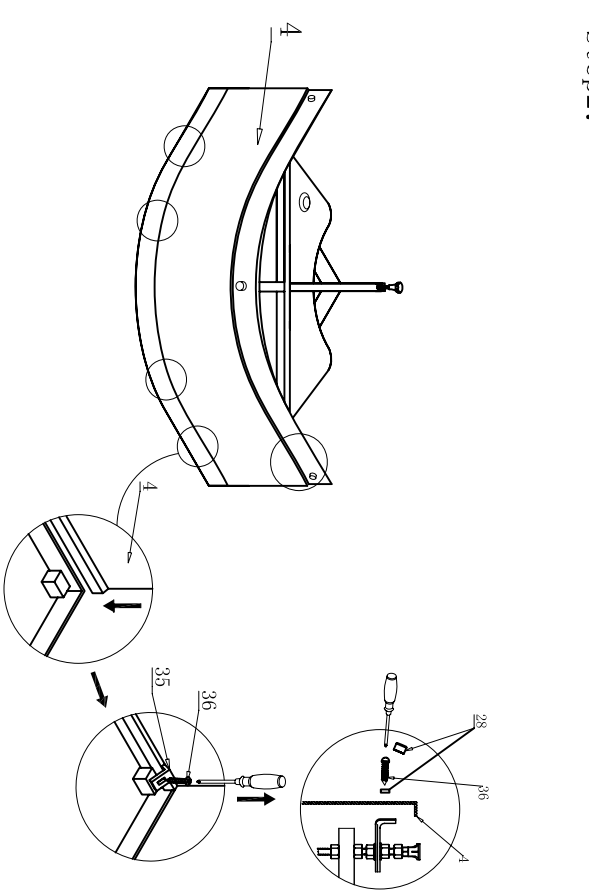
I

step1:

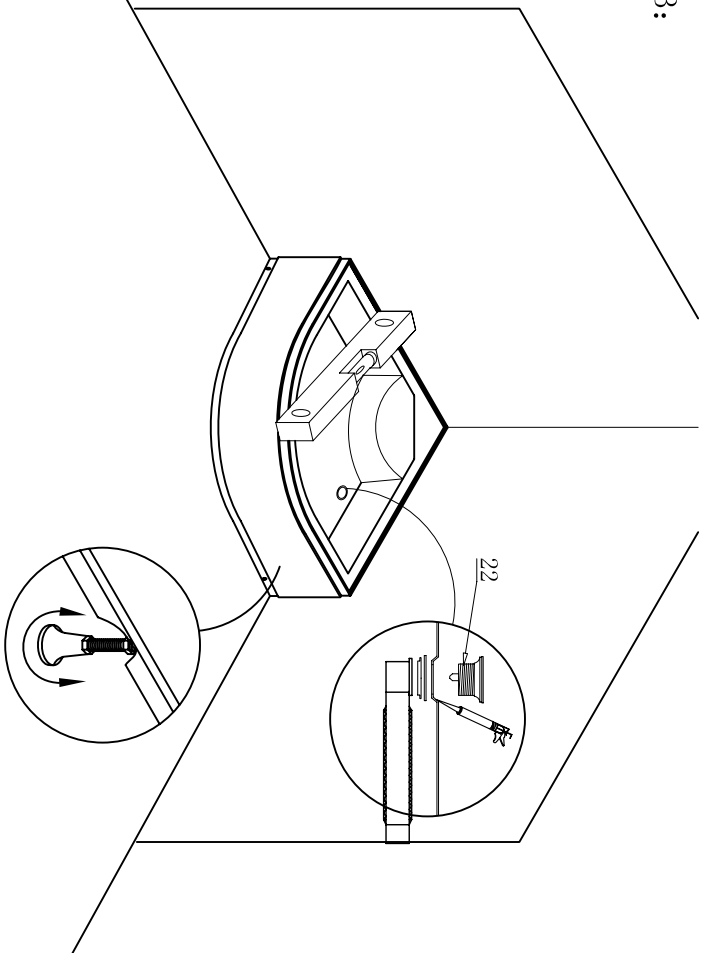


step2:

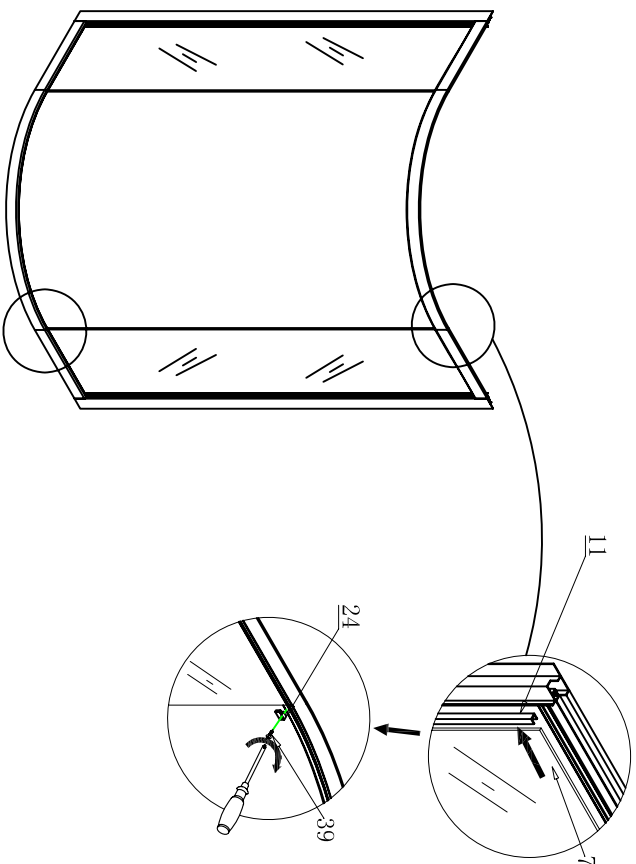
- | | | | | | | | |
|----------|----------|----------|---------|---------|--------|----------|---------|
| [31]×11 | [32]×3 | [33]×5 | [34]×23 | (M12) | [35]×4 | (ST4*16) | [36]×15 |
| [26]×1 | [27]×1 | [28]×3 | [29]×4 | (M4X25) | [30]×2 | [21]×2 | [22]×3 |
| [15]×1 | [16]×1 | [17]×2 | [18]×1 | [19]×2 | [20]×1 | [23]×8 | [24]×4 |
| (ST4*10) | (ST4*35) | (ST4*12) | [37]×34 | [38]×6 | [39]×4 | E1*4 | E2*4 |



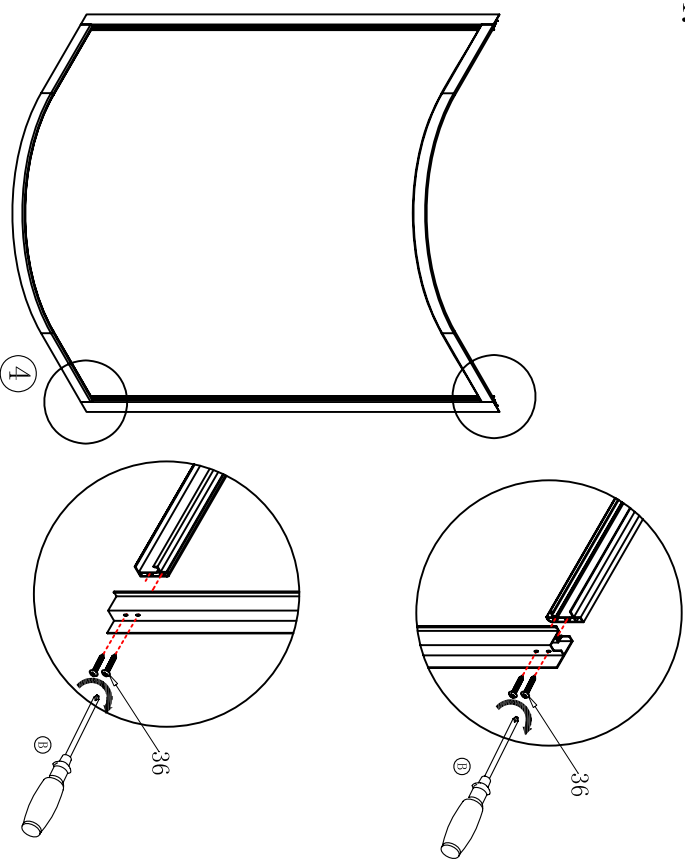
step3:



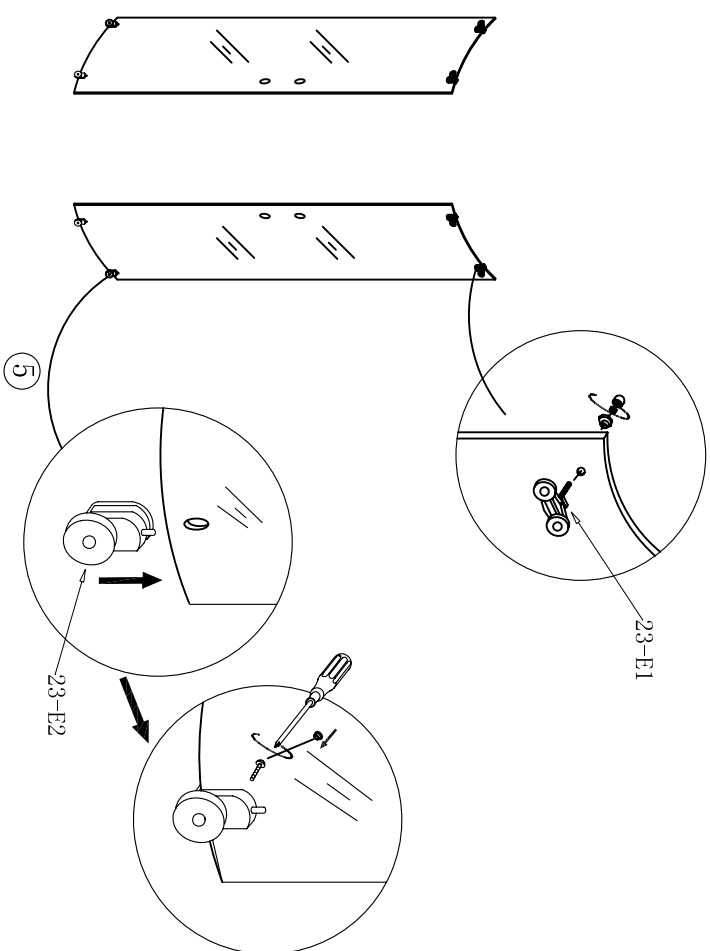
step5:



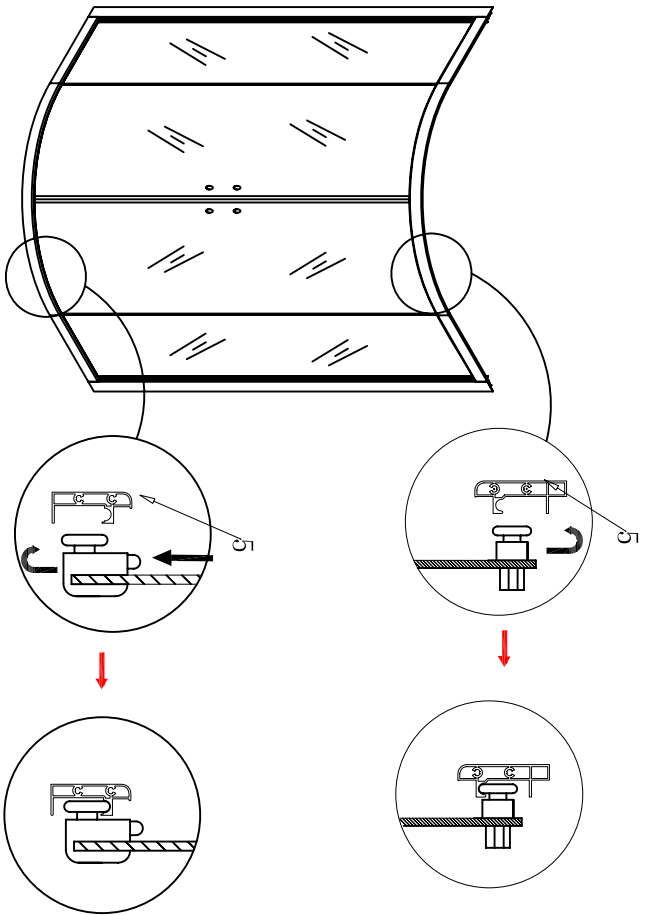
step4:



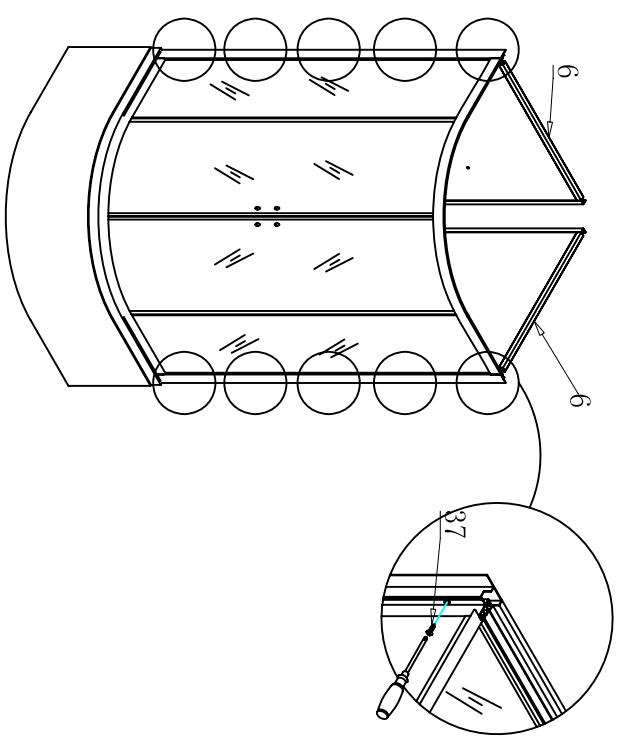
step6:



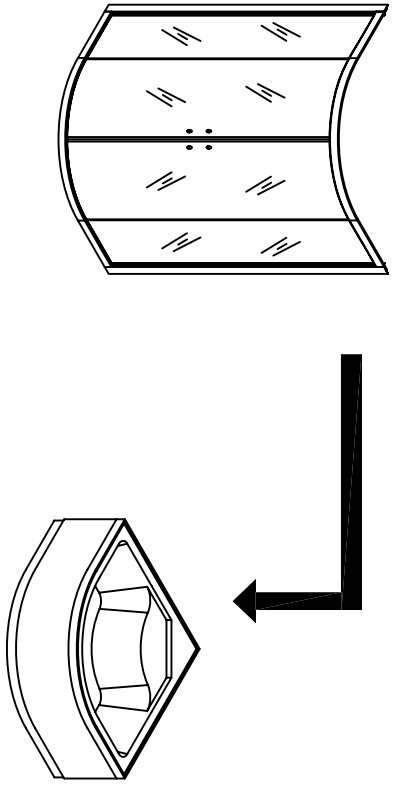
step7:



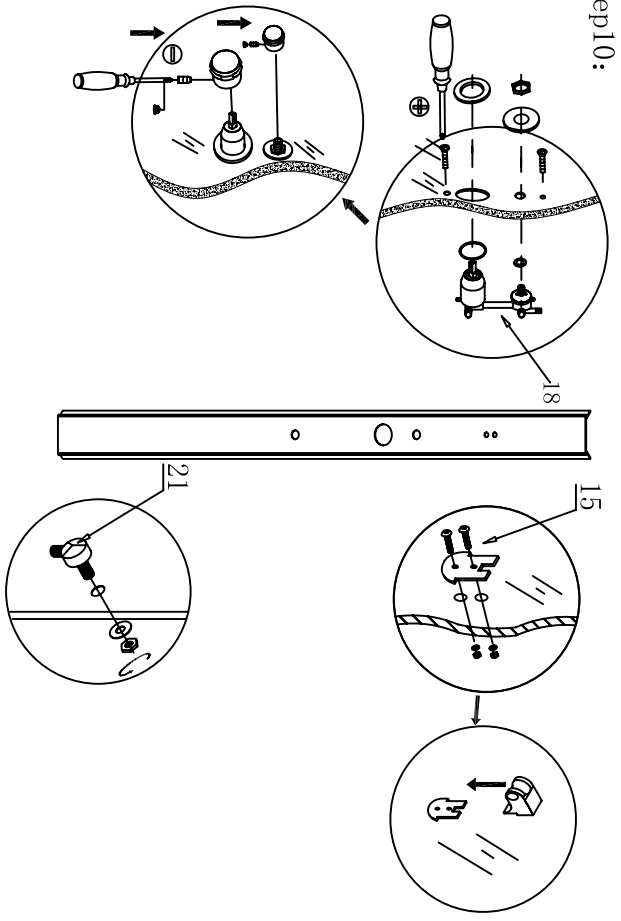
step9:



step8:



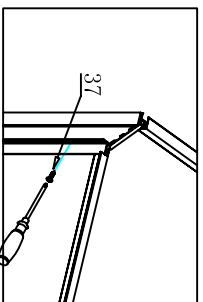
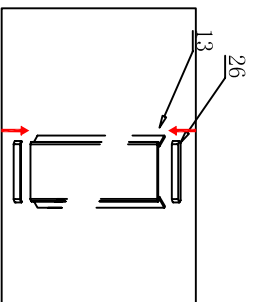
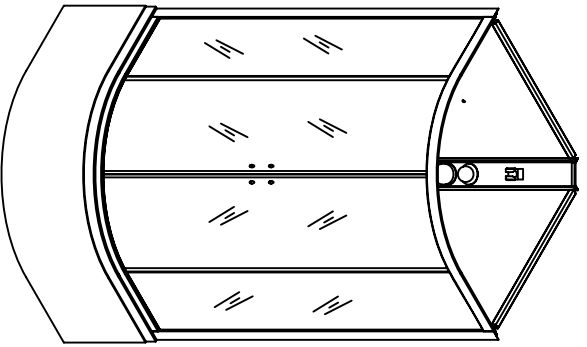
step10:



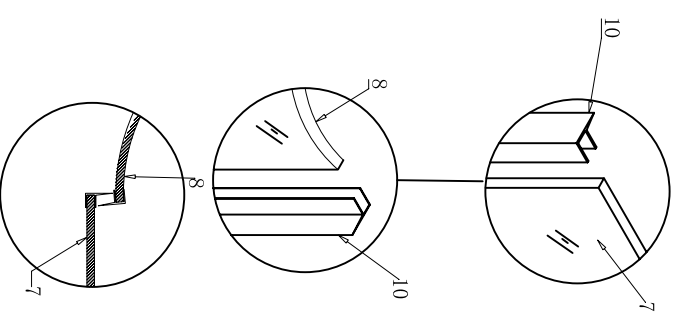
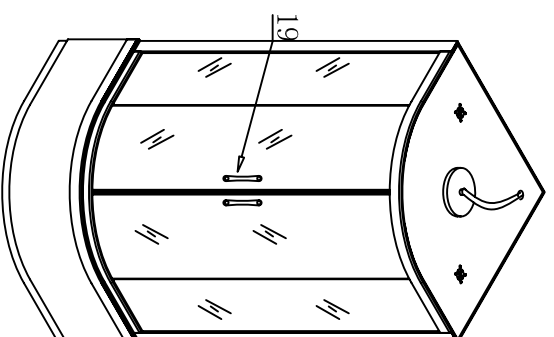
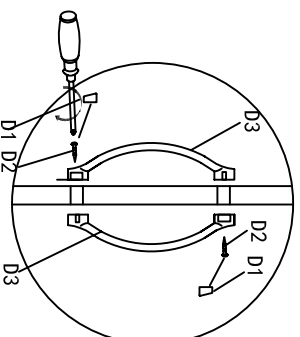
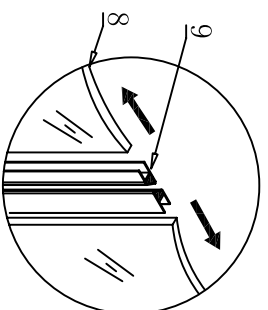
6

7

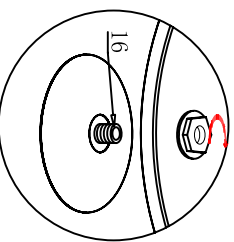
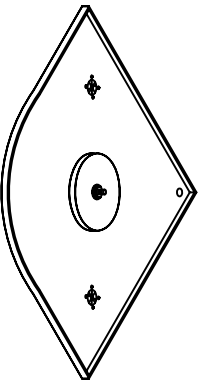
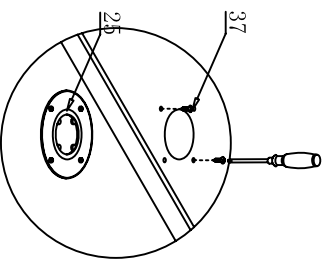
step11:



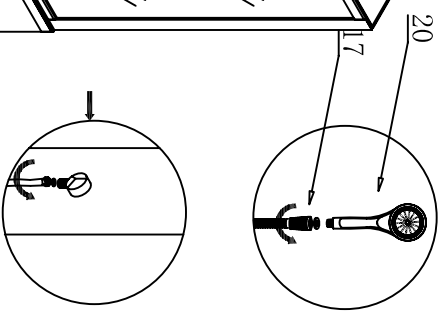
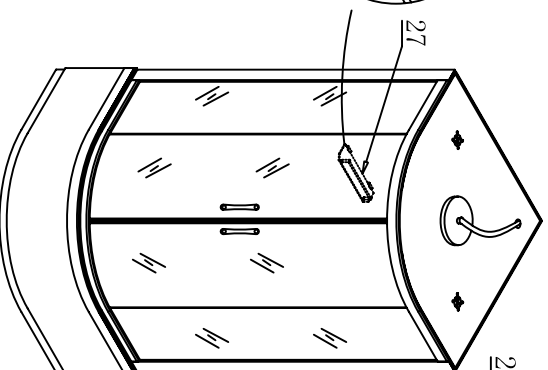
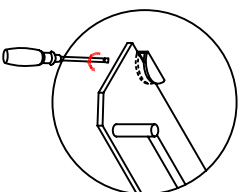
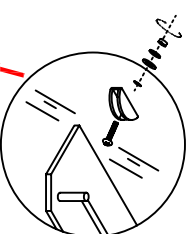
step13:



step12:



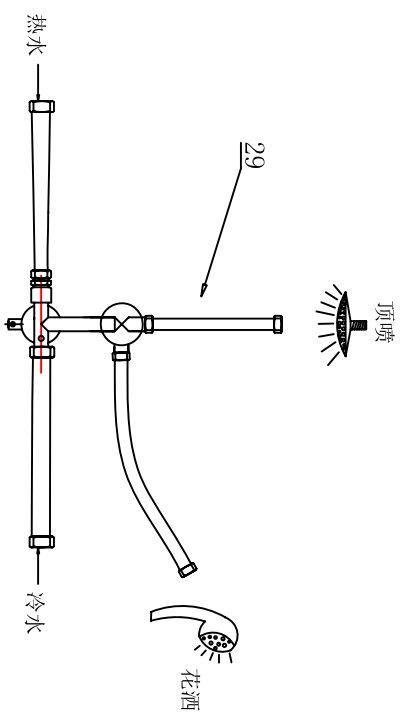
step14:



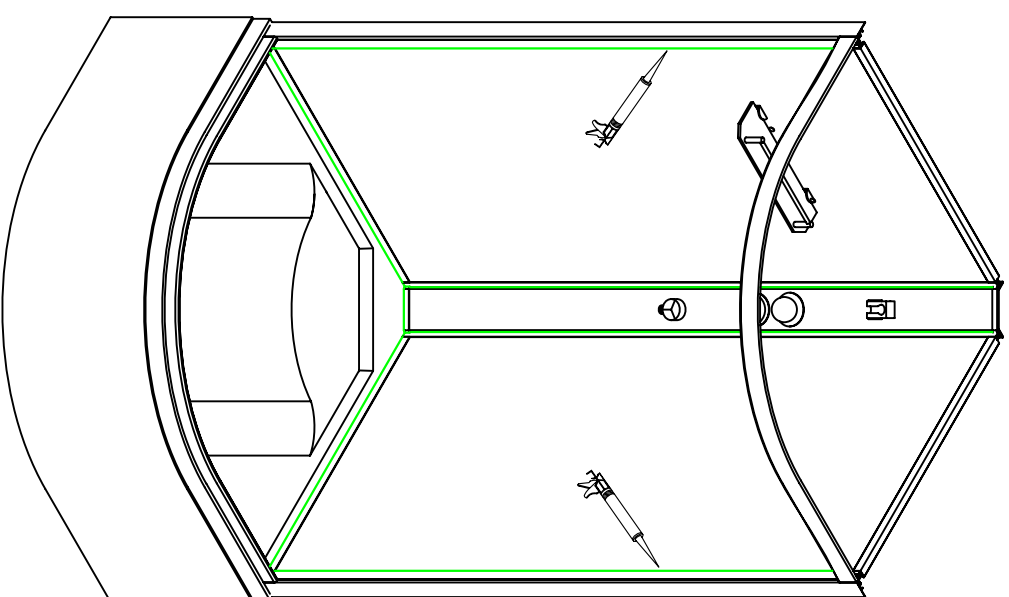
⑧

⑨

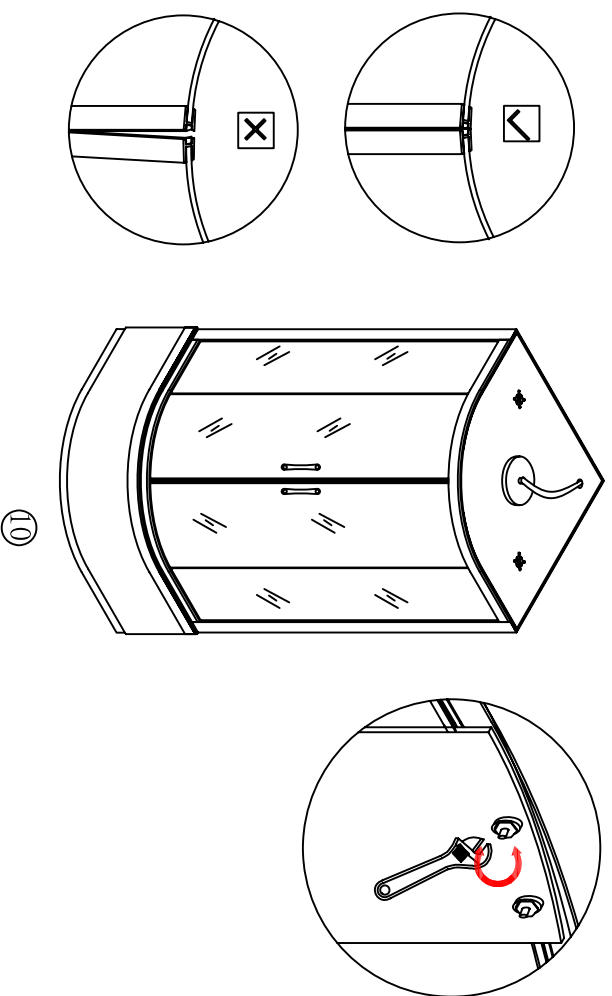
step15:



step17:



step16:



10

11